

视镜

SIGHT GLASS



弘特流体
HONGTEFLUID

流体阀门管件集成智造商

INTEGRATED INTELLIGENT MANUFACTURER
OF FLUID VALVES AND FITTINGS





设计和特点
Design and features

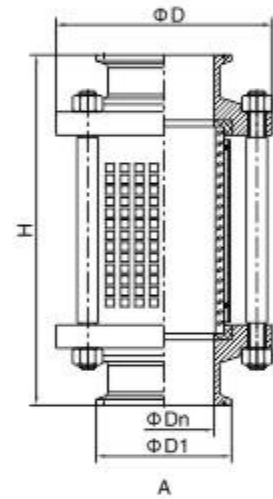
- 规格DN-25/1" 到100/4".
- 口径设计
- 360° 观看角度
- 可以垂直或水平使用
- Sizes: DN-25/1"-100/4".
- Full bore design.
- 360° viewing angle.
- Can be used in vertical or horizontal position.

材质
Materials

- 保护套 AISI 304
- 玻璃 钢化玻璃
- 垫圈 VMQ FDA 177.2600
- 表面处理 CNC车床
- Protective net: AISI304
- Glass: tempered glass
- Gasket: VMQ FDA177.2600
- Surface treatment: CNC machining

技术规格
Technical specifications

- 工作温度: -10°C到120°C (silicone)
- 最大操作压力(bar)
- Working temp: -10°C to 120°C (Silicone)
- Max.operating pressure (bar)



防护网视镜
Sight glass with protective net

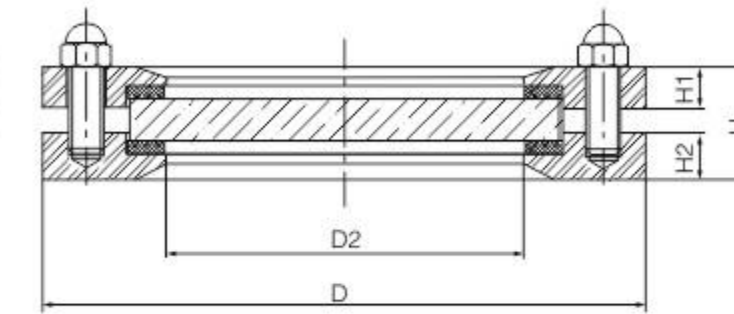
DIN	25	32	40	50	65	80	100
PYREX玻璃	10	10	10	8	7	6	5

ST-V1101 直通焊接式视镜(DIN)
Straight Welded Sight Glass(DIN)

Size	H	D	D1
DN10	1/2"	140	78
DN15	3/4"	140	78
DN20	1"	140	78
DN25	1 1/4"	140	78
DN32	1 1/2"	140	86
DN40	2"	140	90
DN50	2 1/2"	142	102
DN65	3"	146	124
DN80	3 1/2"	150	139
DN100	4"	154	154
DN125	5"	170	185
DN150	6"	180	215

ST-V1102 直通卡箍式视镜
Straight Clamped Sight Glass

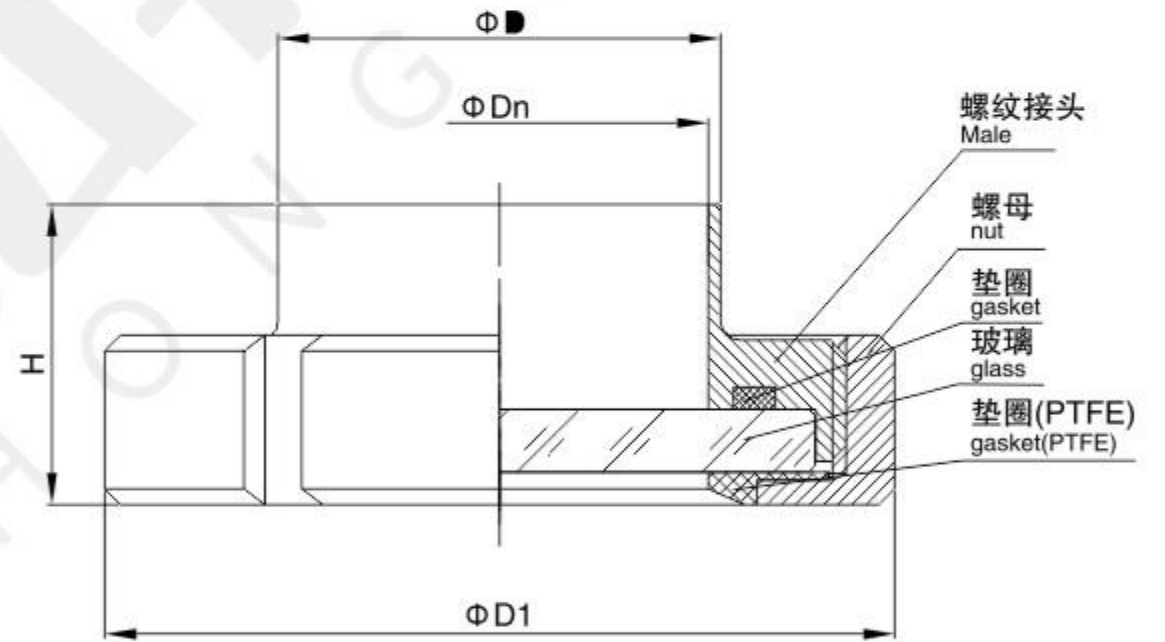
Size	H	D	D1
DN10	1/2"	156	78
DN15	3/4"	156	78
DN20	1"	156	78
DN25	1 1/4"	156	78
DN32	1 1/2"	156	78
DN40	2"	160	86
DN50	2 1/2"	166	102
DN65	3"	174	120
DN80	3 1/2"	174	134
DN100	4"	194	154
DN125	5"	212	185
DN150	6"	236	215



ST-V1103 法兰视镜
Flanged Sight Glass

Size	H	H1	H2	D	D2
DN40	25	14	8	115	68
DN50	29	16	10	140	78
DN65	29	16	10	155	98
DN80	29	16	10	155	98
DN100	30	16	11	190	128
DN125	33	18	12	224	154
DN150	41	20	18	250	183
DN200	45	22	20	310	233

由任式视镜
UNION-TYPE-SIGHT-GLASS



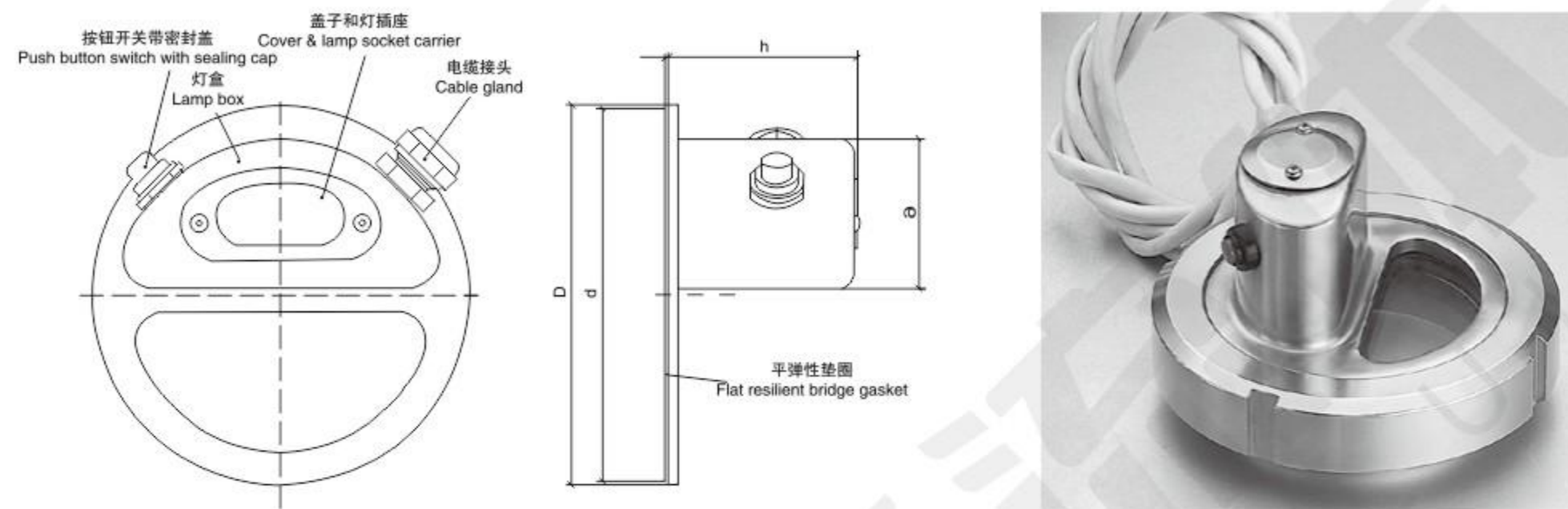
ST-V1104 由任视镜(DIN)
Union type Sight Glass(DIN)

Size	H	D1	D	Dn
DN25	26	63	28	25
DN32	28	70	34	31
DN40	28	78	40	37
DN50	30	92	52	49
DN65	31	110	70	66
DN80	33	125	85	81
DN100	37	146	104	100
DN125	38	178	129	125
DN150	45	210	154	150

ST-V1105 由任视镜(Inch)
Union type Sight Glass(Inch)

Size	H	D1	D	Dn
1"	23	54	25.4	22.4
1 1/4"	27	70	31.8	28.8
1 1/2"	29	72	38.1	35.1
2"	29	92	50.8	47.8
2 1/2"	32	97	63.5	59.5
3"	31	111	76.2	72.2
3 1/2"	31	125	89.0	85.0
4"	35	138	101.6	97.6

不锈钢泛光灯系列的尺寸和连接数据
Dimensions and connecting data for stainless steel series ME

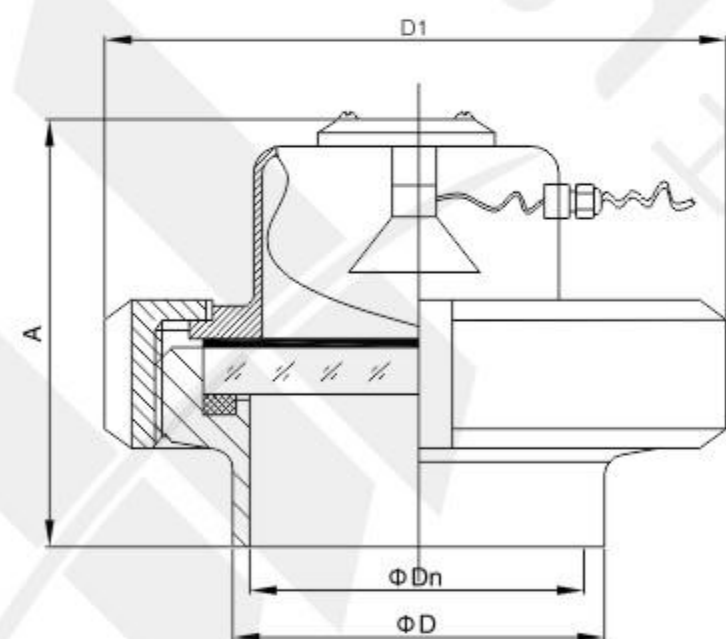


部件, 材质和装配:

- 不锈钢304(1.4301)泛光灯体
- 用于制药和食品加工上表面为亚光
- 灯盒盖(2)和弹性平垫圈装在一起, 暴露在外灯插方便于旋到灯盒(1)上。
- 无维修的按钮开关(5)装有独立的密封盖。
- 通过密封管电缆接头(3)到内部终端2.5mm²连接电缆。
- 供应电缆: 装有3m电缆尾端和内部连接好的电线(耐高温105到90°C)

Parts, materials and assembly:

- Luminaire body stainless steel 1.4301.
- Satin surface finish for pharmaceutical and food processing.
- Lamp box lid (2) fitted with resilient flat gasket, exposes lamp socket for easy access and screws onto lamp box (1).
- Non maintained push button switch (5) with separate sealing cap fitted as standard.
- Connection of cable through gland (3) to internal terminals 2.5 mm².
- Supply cable; 3 m cable tail works fitted and ready wired internally (Lapptherm 105 up to 90°C).



ST-V1106

Size	A	D5	D	Dn
DN80	90	125	87	81
DN100	100	146	106	100
DN125	90	178	132	125
DN150	96	210	157	150

- 订购规格: 例如, 泛光灯 100/24V-50W.
- 订购时注意事项:

灯要装在现有螺纹视镜的哪个部位, 槽形螺母一定要改成和泛光灯的法兰相匹配, 或重新购买一个匹配的螺母。如有疑问请同供应商联系。除非特别指出, 所有的尺寸单位为mm, 如有变更不另行通知。

- Ordering Specification: Example: Lumiglas luminaire ME 100/24 V – 50W.
- Important when ordering:
Where the Lumistar ME unit is to be fitted into an existing screwed sight glass, the slotted cover nut must be suitably modified to take the luminaire flange or a matching cover nut ordered – please see bore dimensions 'd8' contained in DIN 11851. If in doubt please ask supplier.