

卫生级管件

SANITARY PIPE FITTINGS



弘特流体
HONGTEFLUID

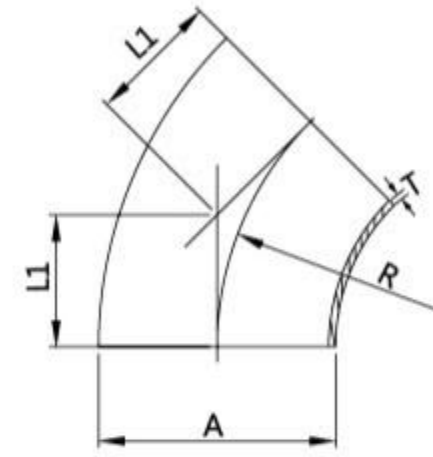
流体阀门管件集成智造商

INTEGRATED INTELLIGENT MANUFACTURER
OF FLUID VALVES AND FITTINGS



焊接式弯头(45°) 45° Welded Elbow

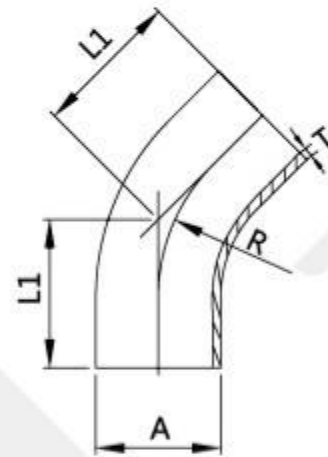
DIN No.FT-A001



Size	A	R	L1	T
DN10	12/13	26	10.7	1.5
DN15	18/19	35	14.5	1.5
DN20	22/23	40	16.5	1.5
DN25	28/29	50	20.7	1.5
DN32	34/35	55	22.8	1.5
DN40	40/41	60	24.8	1.5
DN50	52/53	70	29	1.5
DN65	70	80	33.2	2
DN80	85	90	37.3	2
DN100	104	100	41.5	2
DN125	129	187.5	77.5	2
DN150	154	225	93.2	2
DN200	204	300	124.3	2
DN250	254	325	155.3	2
DN300	306	450	186.4	3

长型焊接式弯头(45°) 45° Long Welded Elbow

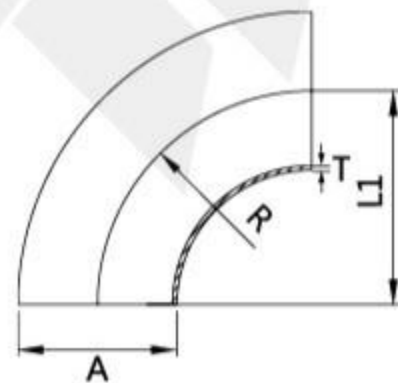
DIN No.FT-A002



Size	A	R	L1	T
DN10	12/13	26	35.8	1.5
DN15	18/19	35	39.5	1.5
DN20	22/23	40	41.6	1.5
DN25	28/29	50	60.7	1.5
DN32	34/35	55	62.8	1.5
DN40	40/41	60	64.9	1.5
DN50	52/53	70	69	1.5
DN65	70	80	73	2
DN80	85	90	92.3	2
DN100	104	100	96.4	2
DN125	129	187.5	135.2	2
DN150	154	225	156.7	2

焊接式弯头(90°) 90° Welded Elbow

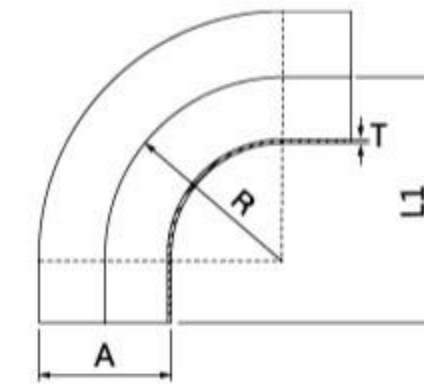
DIN No.FT-A003



Size	A	R	L1	T
DN10	12/13	26	26	1.5
DN15	18/19	35	35	1.5
DN20	22/23	40	40	1.5
DN25	28/29	50	50	1.5
DN32	34/35	55	55	1.5
DN40	40/41	60	60	1.5
DN50	52/53	70	70	1.5
DN65	70	80	80	2
DN80	85	90	90	2
DN100	104	100	100	2
DN125	129	187	187	2
DN150	154	225	225	2
DN200	204	300	300	2
DN250	254	375	254	2
DN300	306	450	306	3

长型焊接式弯头(90°) 90° Long Welded Elbow

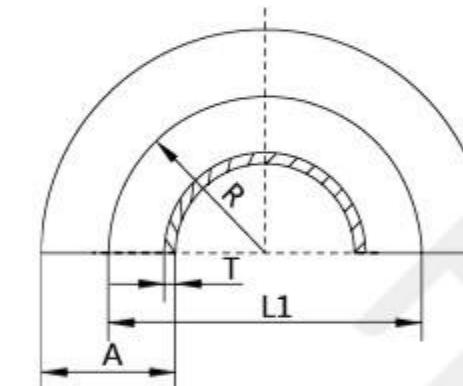
DIN No.FT-A004



Size	A	R	L1	T
DN10	12/13	26	38/51	1.5
DN15	18/19	35	47/60	1.5
DN20	22/23	40	52/65	1.5
DN25	28/29	50	70/90	1.5
DN32	34/35	55	78/95	1.5
DN40	40/41	60	85/100	1.5
DN50	52/53	70	97/110	1.5
DN65	70	80	110/120	2
DN80	85	90	118/145	2
DN100	104	100	140/155	2
DN125	129	187	227	2
DN150	154	225	265	2

焊接式弯头(180°) 180° Welded Elbow

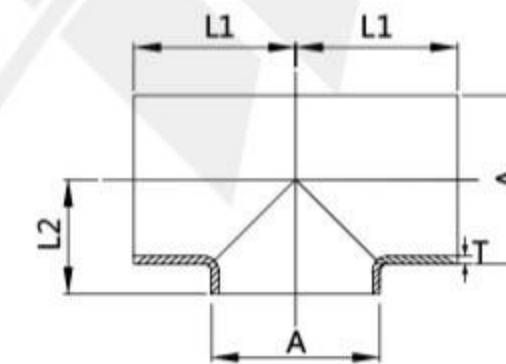
DIN No.FT-A005



Size	A	R	L1	T
DN10	12/13	26	52	1.5
DN15	18/19	35	70	1.5
DN20	22/23	40	80	1.5
DN25	28/29	50	100	1.5
DN32	34/35	55	110	1.5
DN40	40/41	60	120	1.5
DN50	52/53	70	140	1.5
DN65	70	80	160	2
DN80	85	90	180	2
DN100	104	100	200	2
DN125	129	187.5	375	2
DN150	154	225	450	2
DN200	204	300	600	2
DN250	254	375	750	2
DN300	306	450	900	3

短型焊接式三通 Short Welded Tee

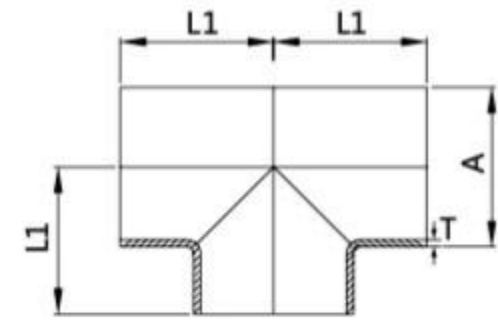
DIN No.FT-A006



Size	A	L1	L2	T
DN10	12/13	26	7.5	1.5
DN15	18/19	35	10.5	1.5
DN20	22/23	40	12.5	1.5
DN25	28/29	50	16	1.5
DN32	34/35	55	19.5	1.5
DN40	40/41	60	22.5	1.5
DN50	52/53	70	30	1.5
DN65	70	80	39.5	2
DN80	85	90	47.5	2
DN100	104	100	58	2
DN100	101.6	150	56	2
DN125	129	187	70.5	2
DN150	154	225	83	2
DN200	204	300	115	2
DN250	254	216	140	2
DN300	306	254	165	3

焊接三通 Welded Tee

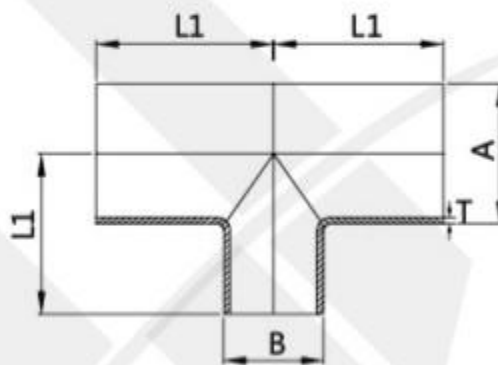
DIN No.FT-A007



Size	A	L1	T
DN10	12/13	26	1.5
DN15	18/19	35	1.5
DN20	22/23	40	1.5
DN25	28/29	50	1.5
DN32	34/35	55	1.5
DN40	40/41	60	1.5
DN50	52/53	70	1.5
DN65	70	80	2
DN80	85	90	2
DN100	104	100	2
DN125	129	187	2
DN150	154	225	2
DN200	204	300	2
DN250	254	216	2
DN300	306	254	3

长型焊接变径三通 Long Welded Reducing Tee

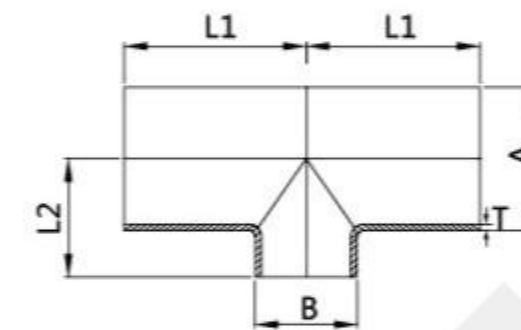
DIN No.FT-A008



DN	AxB	L1	T
25-20	28x22	50	1.5
32-25	34x28	55	1.5
40-25	40x28	60	1.5
40-32	40x34	60	1.5
50-25	52x28	70	2
50-32	52x34	70	2
50-40	52x40	70	2
65-25	70x28	80	2
65-32	70x34	80	2
65-40	70x40	80	2
65-50	70x52	80	2
80-25	85x28	90	2
80-32	85x34	90	2
80-40	85x40	90	2
80-50	85x52	90	2
80-65	85x70	90	2
100-25	104x28	100	2
100-32	104x34	100	2
100-40	104x40	100	2
100-50	104x52	100	2
100-65	104x70	100	2
100-80	104x85	100	2
125-25	129x28	187.5	2
125-32	129x104	187.5	2
125-40	129x104	187.5	2
125-50	129x104	187.5	2
125-65	129x104	187.5	2
125-80	129x104	187.5	2
125-100	129x104	187.5	2
150-32	154x34	225	2
150-40	154x40	225	2
150-50	154x52	225	2
150-65	154x70	225	2
150-80	154x85	225	2
150-100	154x104	225	2
150-125	154x129	225	2

短型焊接变径三通 Short Welded Reducing Tee

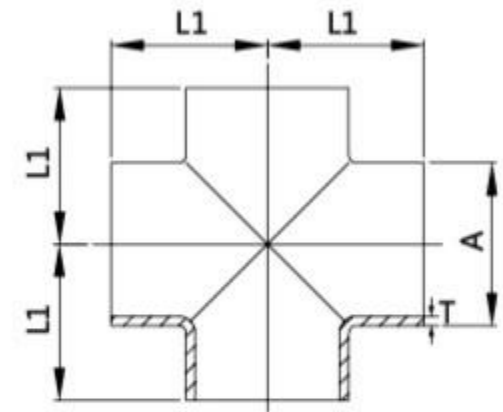
DIN No.FT-A009



DN	AxB	L1	L2	T
25-20	28x22	50	17	1.5
32-25	34x28	55	19.5	1.5
40-25	40x28	60	22.5	1.5
40-32	40x34	60	22.5	1.5
50-25	52x28	70	29.5	2
50-32	52x34	70	29.5	2
50-40	52x40	70	29.5	2
65-25	70x28	80	39	2
65-32	70x34	80	39	2
65-40	70x40	80	39	2
65-50	70x52	80	46.5	2
80-25	85x28	90	46.5	2
80-32	85x34	90	46.5	2
80-40	85x40	90	46.5	2
80-50	85x52	90	46.5	2
80-65	85x70	90	46.5	2
100-25	104x28	100	56	2
100-32	104x34	100	56	2
100-40	104x40	100	56	2
100-50	104x52	100	56	2
100-65	104x70	100	56	2
100-80	104x85	100	56	2
125-25	129x28	187.5	68.5	2
125-32	129x104	187.5	68.5	2
125-40	129x104	187.5	68.5	2
125-50	129x104	187.5	68.5	2
125-65	129x104	187.5	68.5	2
125-80	129x104	187.5	68.5	2
125-100	129x104	187.5	68.5	2
150-32	154x34	225	81	2
150-40	154x40	225	81	2
150-50	154x52	225	81	2
150-65	154x70	225	81	2
150-80	154x85	225	81	2
150-100	154x104	225	81	2
150-125	154x129	225	81	2

焊接式四通 Welded Cross

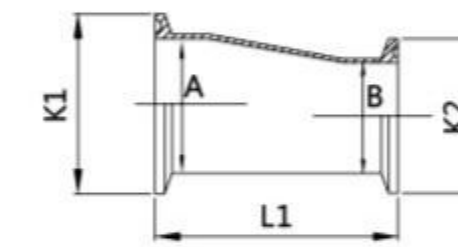
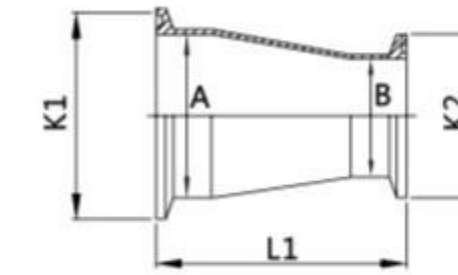
DIN No.FT-A0010



Size	A	L1	T
DN10	12/13	26	1.5
DN15	18/19	35	1.5
DN20	22/23	40	1.5
DN25	28/29	50	1.5
DN32	34/35	55	1.5
DN40	40/41	60	1.5
DN50	52/53	70	1.5
DN65	70	80	2
DN80	85	90	2
DN100	104	100	2
DN125	129	187	2
DN150	154	225	2
DN200	204	300	2
DN250	254	216	2
DN300	306	254	3

卡箍式大小头 Clamped Reducer

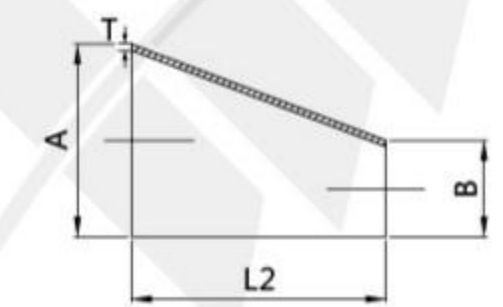
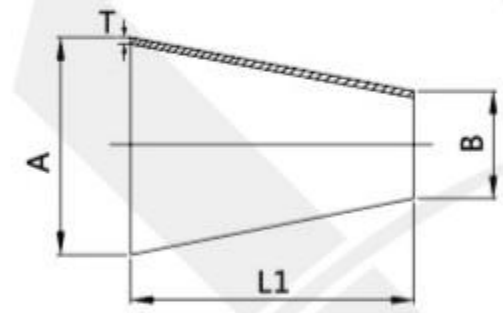
DIN No.FT-A012



Size	A	B	K1×K2	L1
DN20/15	22/23	18/19	34×34	86
DN25/20	28/29	22/23	50.5×34	86
DN32/20	34/35	22/23	50.5×34	106
DN32/25	34/35	28/29	50.5×50.5	106
DN40/20	40/41	22/23	50.5×34	128
DN40/25	40/41	28/29	50.5×50.5	128
DN40/32	40/41	34/35	50.5×50.5	128
DN50/25	52/53	28/29	64×50.5	141
DN50/32	52/53	34/35	64×50.5	141
DN50/40	52/53	40/41	64×50.5	141
DN65/25	70	28/29	91×50.5	151
DN65/32	70	34/35	91×50.5	151
DN65/40	70	40/41	91×50.5	146
DN65/50	70	52/53	91×64	146
DN80/40	85	40/41	106×50.5	166
DN80/50	85	52/53	106×64	151
DN80/65	85	70	106×91	146
DN100/50	104	52/53	119×64	192
DN100/65	104	70	119×91	159
DN100/80	104	85	119×106	152

焊接式大小头 Welded Reducer

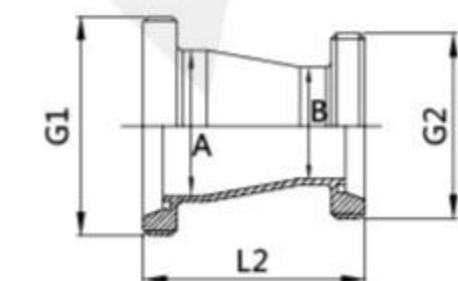
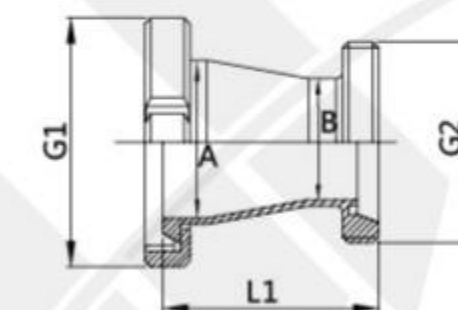
DIN No.FT-A011



Size	A	B	L1	L2	T
DN15/10	18/19	12/13	11		1.5×1.5
DN20/10	22/23	12/13	18		1.5×1.5
DN20/15	22/23	18/19	7		1.5×1.5
DN25/15	28/29	18/19	18		1.5×1.5
DN25/20	28/29	22/23	11		1.5×1.5
DN32/20	34/35	22/23	22		1.5×1.5
DN32/25	34/35	28/29	11	16.5	1.5×1.5
DN40/20	40/41	22/23	33		1.5×1.5
DN40/25	40/41	28/29	22	33	1.5×1.5
DN40/32	40/41	34/35	22	16.5	1.5×1.5
DN50/25	52/53	28/29	44	66	1.5×1.5
DN50/32	52/53	34/35	33	49.5	1.5×1.5
DN50/40	52/53	40/41	22	33	1.5×1.5
DN65/25	70	28/29	73		2×1.5
DN65/32	70	34/35	62		2×1.5
DN65/40	70	40/41	51	77	2×1.5
DN65/50	70	52/53	29	44	2×1.5
DN80/40	85	40/41	78		2×1.5
DN80/50	85	52/53	56	85	2×1.5
DN80/65	85	70	27	41.2	2×2
DN100/50	104	52/53	90	137.5	2×1.5
DN100/65	104	70	61	93.5	2×2
DN100/80	104	85	34	52.5	2×2
DN125/80	129	85	80		2×2
DN125/100	129	104	45		2×2
DN150/100	129	104	90		2×2
DN150/125	154	129	45		2×2
DN200/150	204	154	90		2×2

由任式大小头 Union Reducer

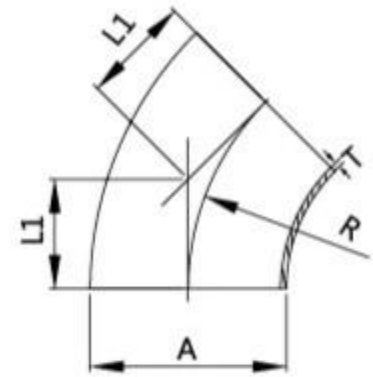
DIN No.FT-A013



Size	A	B	G1	G2	L1	L2
DN20/15	22/23	18/19	RD44×1/6	RD34×1/8	93	98
DN25/20	28/29	22/23	RD52×1/6	RD44×1/6	97	101
DN32/20	34/35	22/23	RD58×1/6	RD44×1/6	117	121
DN32/25	34/35	28/29	RD58×1/6	RD52×1/6	118	122
DN40/20	40/41	22/23	RD65×1/6	RD44×1/6	139	143
DN40/25	40/41	28/29	RD65×1/6	RD52×1/6	140	144
DN40/32	40/41	34/35	RD65×1/6	RD58×1/6	140	144
DN50/25	52/53	28/29	RD78×1/6	RD52×1/6	153	157
DN50/32	52/53	34/35	RD78×1/6	RD58×1/6	153	157
DN50/40	52/53	40/41	RD78×1/6	RD65×1/6	153	157
DN65/25	70	28/29	RD95×1/6	RD52×1/6	163	169
DN65/32	70	34/35	RD95×1/6	RD58×1/6	163	169
DN65/40	70	40/41	RD95×1/6	RD65×1/6	158	164
DN65/50	70	52/53	RD95×1/6	RD78×1/6	158	164
DN80/40	85	40/41	RD110×1/4	RD65×1/6	181	187
DN80/50	85	52/53	RD110×1/4	RD78×1/6	166	172
DN80/65	85	70	RD110×1/4	RD95×1/6	183	174
DN100/50	104	52/53	RD130×1/4	RD78×1/6	195	209
DN100/65	104	70	RD130×1/4	RD95×1/6	174	178
DN100/80	104	85	RD130×1/4	RD110×1/4	170	174

焊接式弯头(45°) 45° Welded Elbow

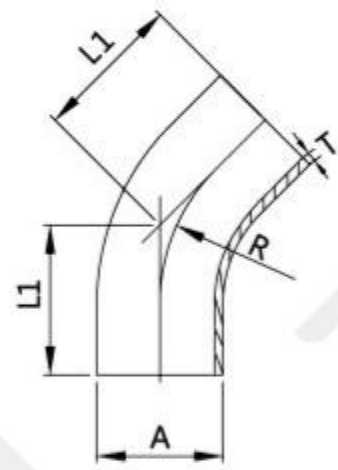
SMS No.FT-A014



Size	A	R	L1	T
25	25.4	38.1	15.5	1.25/1.5
38	38.1	57.2	23.6	1.25/1.5
51	50.8	76.2	31.6	1.25/1.5
63	63.5	95.3	39.5	1.5/2
76	76.2	114.3	47.2	1.6/2
102	101.6	152.4	63	2
127	127	190.5	78.9	2
152.4	152.4	228.6	94.7	2
203.2	203.2	305	126.3	2

长型焊接式弯头(45°) 45° Long Welded Elbow

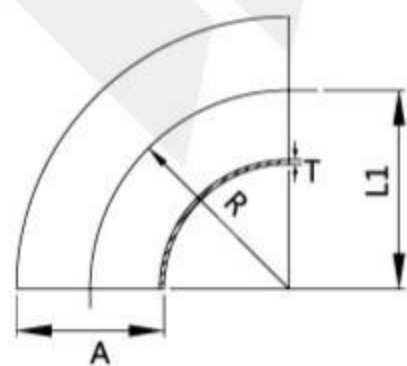
SMS No.FT-A015



Size	A	R	L1	T
25	25.4	38.7	42.5	1.25/1.5
38	38.1	57.2	56.8	1.25/1.5
51	50.8	76.2	68.6	1.25/1.5
63	63.5	95.2	78.4	1.65/2
76	76.2	114.3	85.2	1.6/2
102	101.6	152.4	103	2
127	127	190.5	142.4	2
152.4	152.4	228.6	158.2	2
203.2	203.2	305	202.5	2

焊接式弯头 (90°) 90° Welded Elbow

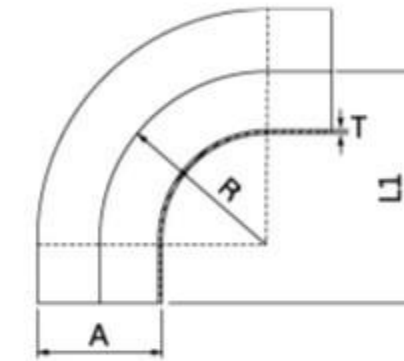
SMS No.FT-A016



Size	A	R	L1	T
25	25.4	38.1	38.1	1.25/1.5
32	31.8	47.7	47.7	1.25/1.5
38	38.1	57.2	57.1	1.25/1.5
51	50.8	76.2	76.2	1.25/1.5
63	63.5	95.2	95.2	1.5/2
76	76.2	114.3	114.3	1.65/2
102	101.6	152.4	152.4	2
104	104	152.4	152.4	2
127	127	190.5	190.5	2
152.4	152.4	228.6	228.6	2
203.2	203.2	305	305	2

长型焊接式弯头(90°) 90° Long Welded Elbow

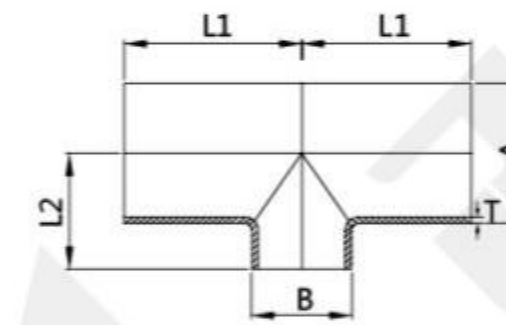
SMS No.FT-A017



Size	A	R	L1	T
25	25.4	38.1	55	1.25/1.5
38	38.1	57.2	70	1.25/1.5
51	50.8	76.2	82	1.25/1.5
63	63.5	95.2	105	1.5/2
76	76.2	114.3	110	1.6/2
102	101.6	152.4	150	2
104	104	152.4	150	2
127	129	190.5	254	2
152.4	152.4	228.6	292	2
203.2	203.2	305	381	2

焊接变径平口三通 Reducing Welded Flat Tee

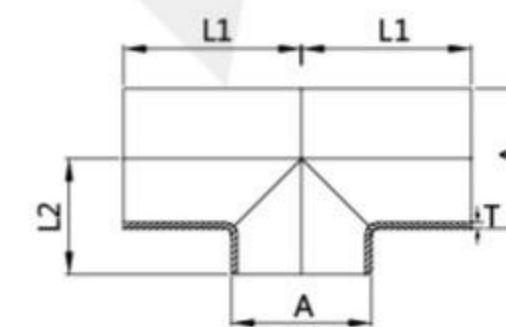
SMS No.FT-A018



Size	A×B	L1	L2	T
38-25	38×25	70	21	1.5
51-25	51×25	82	29	1.5
51-38	51×38	82	29	1.5
63.5-25	63.5×25	105	36	1.5
63.5-38	63.5×38	105	36	1.5
63.5-51	63.5×51	105	36	1.5
76-25	76.1×25	110	44	1.6
76-38	76.1×38	110	44	1.6
76-51	76.1×51	110	44	1.6
76-63.5	76.1×63.5	110	44	1.6
101.6-25	101.6×25	150	58	2
101.6-38	101.6×38	150	58	2
101.6-51	101.6×51	150	58	2
101.6-63.5	101.6×63.5	150	58	2
101.6-76	101.6×76.1	150	58	2

焊接等径平口三通 Equal Welded Flat Tee

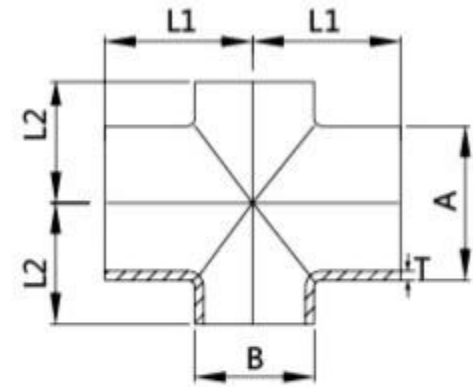
SMS No.FT-A019



Size	A	L1	L2	T
25	25	55	15	1.25/1.5
38	38	70	21	1.25/1.5
51	51	82	29	1.25
63.5	63.5	105	36	1.5
76	76.1	110	44	1.6
101.6	101.6	150	58	2
127	127	190.5	72	2
152.4	153.4	228.6	85	2
203.2	203.2	305	110	2

焊接变径四通 Reducing Welded Cross

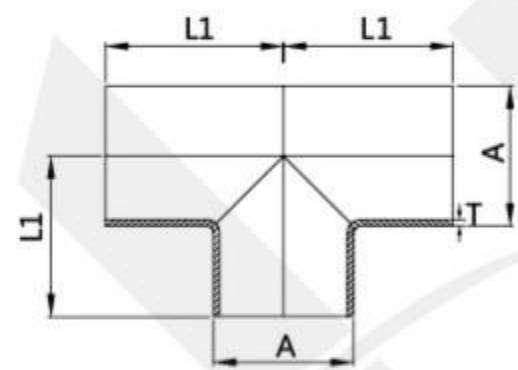
SMS No.FT-A020



Size	AxB	L1	L2	T
38-25	38x25	70	21	1.25
51-25	51x25	82	29	1.25
51-38	51x38	82	29	1.25
63.5-25	63.5x25	105	36	1.5
63.5-38	63.5x38	105	36	1.5
63.5-51	63.5x51	105	36	1.5
76-25	76.1x25	110	44	1.6
76-38	76.1x38	110	44	1.6
76-51	76.1x51	110	44	1.6
76-63.5	76.1x63.5	110	44	1.6
101.6-25	101.6x25	150	58	2
101.6-38	101.6x38	150	58	2
101.6-51	101.6x51	150	58	2
101.6-63.5	101.6x63.5	150	58	2
101.6-76	101.6x76.1	150	58	2

等径三通 Equal Tee

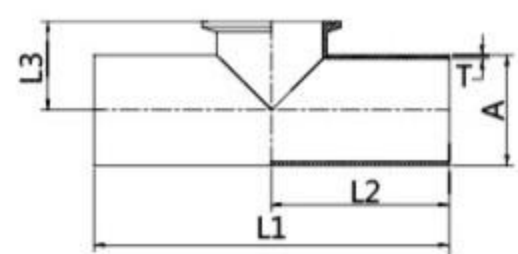
SMS No.FT-A021



Size	A	L1	T
25	25	55	1.25
38	38	70	1.25
51	51	81	1.25
63.5	63.5	105	1.5
76	76.1	110	1.6
101.6	101.6	150	2
127	127	190.5	2
152.4	152.4	228.6	2
203.2	203.2	305.2	2

等径三通 Equal Tee

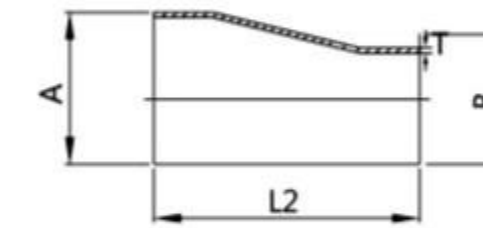
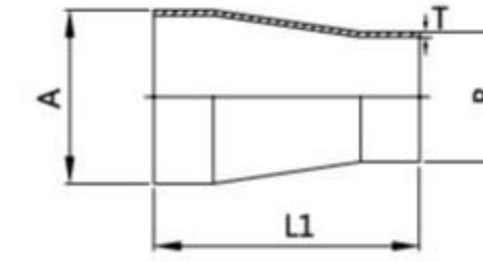
SMS No.FT-A022



Size	A	L1	L2	L3	T
25	25	110	55	26.7	1.2
38	38	140	70	33.7	1.2
51	51	164	82	41.2	1.2
63.5	63.5	210	105	48	1.6
76	76.1	220	110	54.2	1.6
101.6	101.6	300	150	70.5	2

焊接式大小头 Welded Reducer

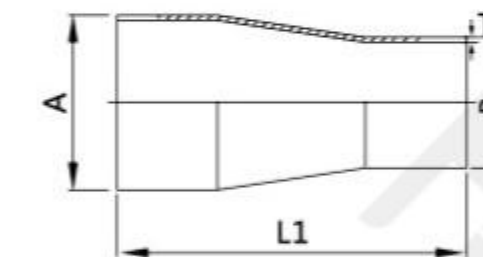
SMS No.FT-A023



Size	AxB	L1	L2	T
38.1-25.4	38.1x25.4	39	46	1.25x1.25 1.5x1.5
50.8-25.4	50.8x25.4	57	68	1.25x1.25 1.5x1.5
50.8-38.1	50.8x38.1	39	47	1.25x1.25 1.5x1.5
63.5-25.4	63.5x25.4	74	92	1.65x1.65 2x2
63.5-38.1	63.5x38.1	57	70	1.65x1.65 2x2
63.5-50.8	63.5x50.8	39	44	1.65x1.65 2x2
76.2-25.4	76.2x25.4	92	117	1.65x1.65 2x2
76.2-38.1	76.2x38.1	74	92	1.65x1.65 2x2
76.2-50.8	76.2x50.8	57	68	1.65x1.65 2x2
76.2-63.5	76.2x63.5	39	47	1.65x1.65 2x2
101.6-50.8	101.6x50.8	95	117	2x1.25
101.6-63.5	101.6x63.5	78	94	2x1.5
101.6-76.2	101.6x76.2	60	74	2x1.65

同心大小头 (加长型) Concentric Reducers (Long)

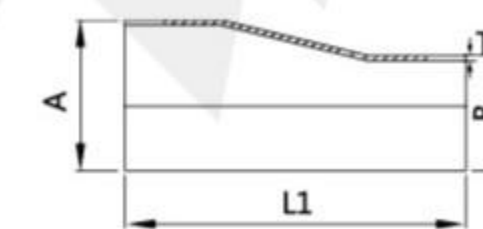
SMS No.FT-A024



Size	AxB	L1	T
25-19	25x19	85	1.25x1.25 1.5x1.5
38-19	38x19	85	1.25x1.25 1.5x1.5
38-25	38x25	99	1.25x1.25 1.5x1.5
51-25	51x25	117	1.25x1.25 1.5x1.5
51-38	51x38	99	1.25x1.25 1.5x1.5
63.5-25	63.5x25	134	1.65x1.65 2x2
63.5-38	63.5x38	117.5	1.65x1.65 2x2
63.5-51	63.5x51	99	1.65x1.65 2x2
76.1-25	76.1x25	152	1.65x1.65 2x2
76.1-38	76.1x38	134	1.65x1.65 2x2
76.1-51	76.1x51	117	1.65x1.65 2x2
76.1-63	76.1x63.5	99	1.65x1.65 2x2
102-51	102x51	155	2x1.25
102-63	102x63.5	138	2x1.5
102-76	102x76.1	120	2x1.65

偏心大小头 (加长型) Eccentric Reducers (Long)

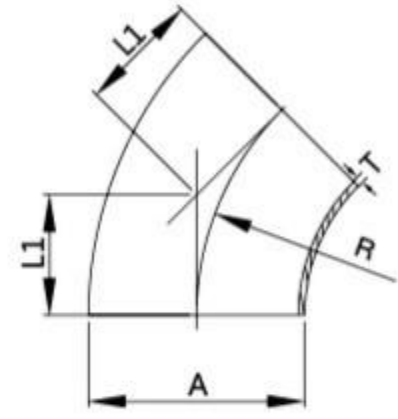
SMS No.FT-A025



Size	AxB	L1	T
38-25	38x25	106	1.25x1.25 1.5x1.5
51-25	51x25	128	1.25x1.25 1.5x1.5
51-38	51x38	107	1.25x1.25 1.5x1.5
63.5-25	63.5x25	150.5	1.65x1.65 2x2
63.5-38	63.5x38	130	1.65x1.65 2x2
63.5-51	63.5x51	104	1.65x1.65 2x2
76.1-38	76.1x38	149	1.65x1.65 2x2
76.1-51	76.1x51	128	1.65x1.65 2x2
76.1-63	76.1x63.5	107	1.65x1.65 2x2
101-51	101.6x51	177	2x2
101-63	101.6x63.5	154	2x2
101-76	101.6x76.1	134	2x2
102-51	102x51	177	2x2
102-63	102x63.5	154	2x2
102-76	102x76.1	134	2x2

焊接式弯头(45°) 45° Welded Elbow

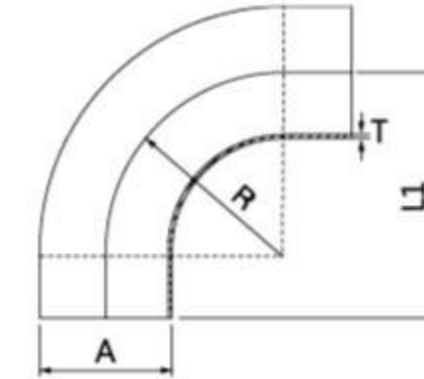
3A No.FT-A026



Size	A	R	L1	T
1/2"	12.7	19	7.1	1.65
3/4"	19	28.6	11.9	1.65
1"	25.4	38.1	15.8	1.65
1 1/4"	31.8	47.7	19.8	1.65
1 1/2"	38.1	57.2	23.8	1.65
2"	50.8	76.2	31.8	1.65
2 1/2"	63.5	95.3	39.6	1.65
3"	76.2	114.3	47.6	1.65
4"	101.6	152.4	63.5	2.1
6"	152.4	228.6	94.7	2.8
8"	203.2	305.2	126.4	2.8
10"	254	381	157.8	2.8
12"	304.8	457	189.3	2.8

长型焊接式弯头(90°) 90° Long Welded Elbow

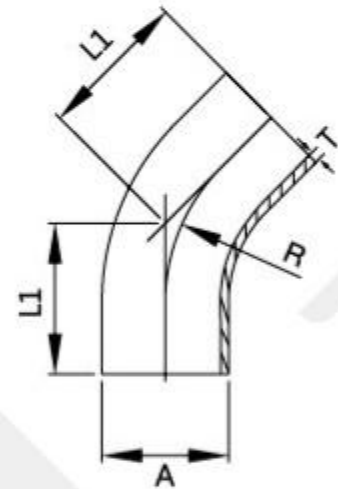
3A No.FT-A029



Size	A	R	L1	T
1/2"	12.7	19.1	25.4	1.65
3/4"	19.1	28.6	38.1	1.65
1"	25.4	38.1	52.4	1.65
1 1/4"	31.8	47.7	69.7	1.65
1 1/2"	38.1	57.2	74.6	1.65
2"	50.8	76.2	103.2	1.65
2 1/2"	63.5	95.3	131.8	1.65
3"	76.2	114.3	160.3	1.65
4"	101.6	152.4	211.1	2
6"	152.4	228.6	292.1	2.8
8"	203.2	228.6	304.8	2.8

长型焊接式弯头(45°) 45° Long Welded Elbow

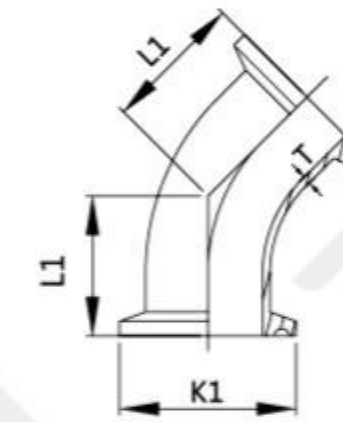
3A No.FT-A027



Size	A	R	L1	T
1/2"	12.7	19	57.2	1.65
3/4"	19.5	28.58	57.2	1.65
1"	25.4	38.1	30.2	1.65
1 1/4"	31.8	47.7	41.3	1.65
1 1/2"	38.1	57.2	41.3	1.65
2"	50.8	76.2	58.7	1.65
2 1/2"	63.5	95.3	76.2	1.65
3"	76.2	114.3	93.7	1.65
4"	101.6	152.4	122.2	1.65
6"	152.4	228.6	158.2	2.8

卡箍式弯头(45°) 45° Clamped Elbow

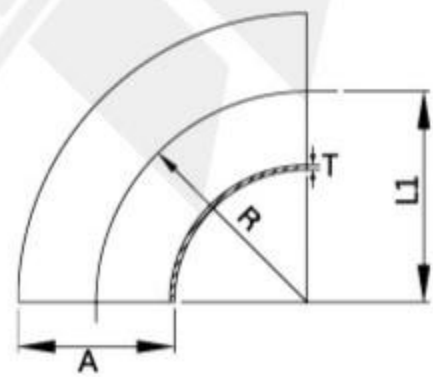
3A No.FT-A030



Size	L1	K1	T
1"	28.5	50.5	1.65
1 1/2"	36.5	50.5	1.65
2"	44.5	64	1.65
2 1/2"	52.3	77	1.65
3"	60.3	91	1.65
4"	76.2	119	2.1

焊接式弯头(90°) 90° Welded Elbow

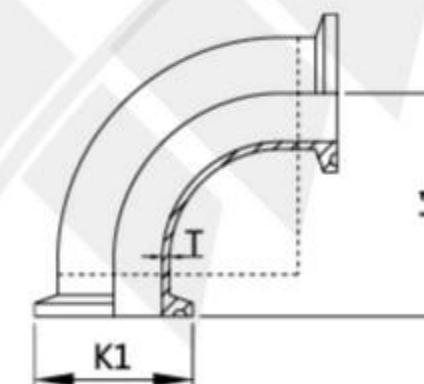
3A No.FT-A028



Size	A	R	L1	T
1/2"	12.7	19.1	19.1	1.65
3/4"	19.1	28.6	28.6	1.65
1"	25.4	38.1	38.1	1.65
1 1/4"	31.8	47.7	47.7	1.65
1 1/2"	38.1	57.2	57.2	1.65
2"	50.8	76.2	76.2	1.65
2 1/2"	63.5	95.3	95.3	1.65
3"	76.2	114.3	114.3	1.65
4"	101.6	152.4	152.4	1.65
5"	127	190.5	190.5	2
6"	152.4	228.6	228.6	2.8
8"	203.2	304.8	304.8	2.8
10"	254	381	381	2.8
12"	304.8	457.2	457.2	2.8

卡箍式弯头(90°) 90° Clamped Elbow

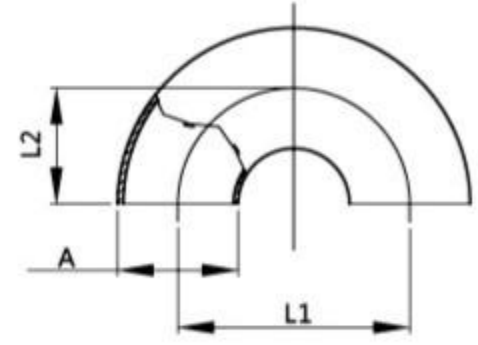
3A No.FT-A031



Size	L1	K1	T
1"	50.8	50.5	1.65
1 1/2"	69.9	50.5	1.65
2"	88.9	64	1.65
2 1/2"	108	77	1.65
3"	127	91	1.65
4"	168.2	119	2.1

焊接式弯头(180°) 180° Welded Elbow

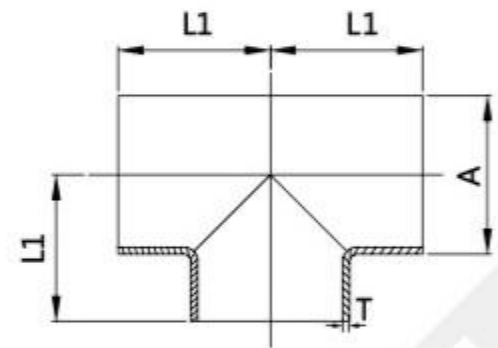
3A No.FT-A032



Size	A	L1	L2
1"	25.4	76.2	38.1
1 1/2"	38.1	114.3	57.2
2"	50.8	152.4	76.2
2 1/2"	63.5	190.5	95.3
3"	76.2	228.6	114.3
4"	101.6	304.8	152.4

焊接式短三通 Short Welded Tee

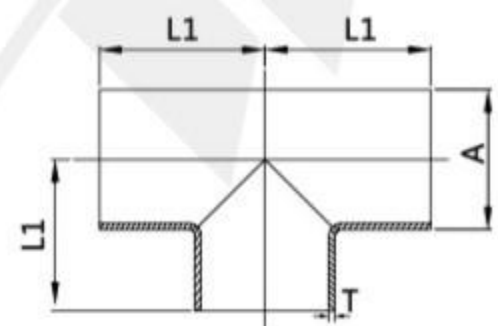
3A No.FT-A033



Size	A	L1	T
1/2"	12.7	19	1.65
3/4"	19	28.6	1.65
1"	25.4	28.6	1.65
1 1/4"	31.8	35	1.65
1 1/2"	38.1	42	1.65
2"	50.8	52.3	1.65
2 1/2"	63.5	59.5	1.65
3"	76.2	65.9	1.65
4"	101.6	87.3	2.11
6"	152.4	127	2.8
8"	203.2	178	2.8
10"	254	216	2.8

长型焊接式三通 Long Welded Tee

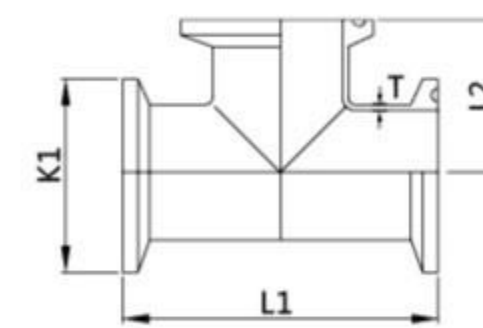
3A No.FT-A034



Size	A	L1	T
1/2"	12.7	47.6	1.65
3/4"	19	47.6	1.65
1"	25.4	47.6	1.65
1 1/4"	31.8	55	1.65
1 1/2"	38.1	57.2	1.65
2"	50.8	76.2	1.65
2 1/2"	63.5	76.2	1.65
3"	76.2	82.6	1.65
4"	101.6	98.4	2.11
6"	152.4	143	2.8
8"	203.2	178	2.8
10"	254	216	2.8

卡箍式三通 Clamped Tee

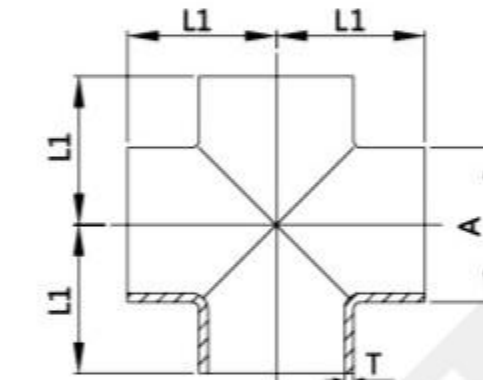
3A No.FT-A035



Size	L1	L2	K1	T
1"	120.6	60.3	50.5	1.65
1 1/2"	139.8	69.9	50.5	1.65
2"	177.8	88.9	64	1.65
2 1/2"	177.8	88.9	77	1.65
3"	190.6	95.3	91	1.65
4"	228.4	114.2	119	2.1

焊接式短四通 Short Welded Cross

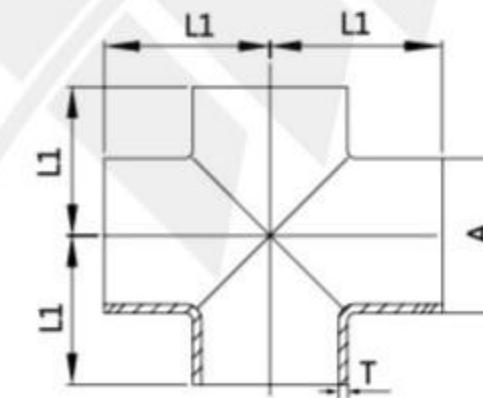
3A No.FT-A036



Size	A	L1	T
1"	25.4	28.6	1.65
1 1/4"	31.8	38	1.65
1 1/2"	38.1	42.1	1.65
2"	50.8	52.4	1.65
2 1/2"	63.5	54.5	1.65
3"	76.2	65.9	1.65
4"	101.6	87.3	2.11

长型焊接式四通 Long Welded Cross

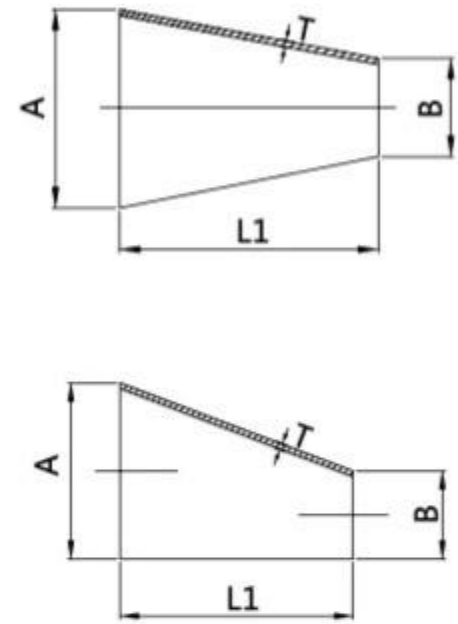
3A No.FT-A037



Size	A	L1	T
1/2"	12.7	76.2	1.65
3/4"	19	47.6	1.65
1"	25.4	47.6	1.65
1 1/4"	31.8	55	1.65
1 1/2"	38.1	57.2	1.65
2"	50.8	76.2	1.65
2 1/2"	63.5	76.2	1.65
3"	76.2	82.6	1.65
4"	101.6	98.4	2.11
6"	152.4	127	2.77

焊接式大小头 Welded Reducer

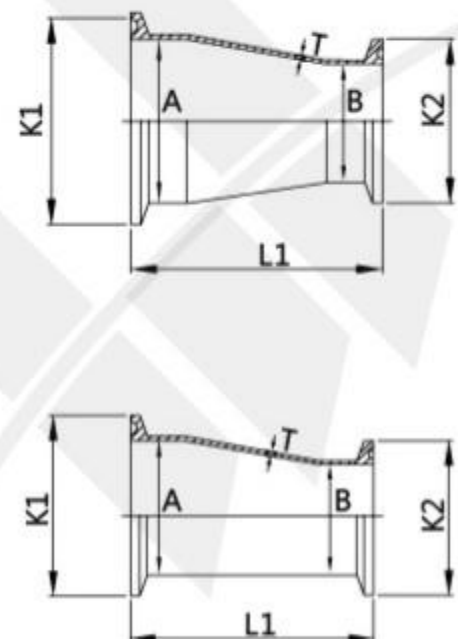
3A No.FT-A038



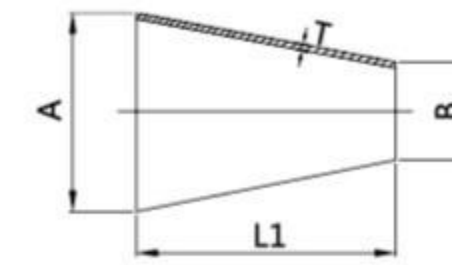
Size	A×B	L1	T
1"-3/4"	25.4×19	25.4	1.65×1.65
1 1/2"-3/4"	38.1×19	76.2	1.65×1.65
1 1/2"-1"	38.1×25.4	50.8	1.65×1.65
2"-1"	50.8×25.4	101.6	1.65×1.65
2"-1 1/2"	50.8×38.1	50.8	1.65×1.65
2 1/2"-1"	63.5×25.4	152.4	1.65×1.65
2 1/2"-1 1/2"	63.5×38.1	101.6	1.65×1.65
2 1/2"-2"	63.5×50.8	50.8	1.65×1.65
3"-1"	76.2×25.4	203.2	1.65×1.65
3"-1 1/2"	76.2×38.1	152.4	1.65×1.65
3"-2"	76.2×50.8	101.6	1.65×1.65
3"-2 1/2"	76.2×63.5	50.8	1.65×1.65
4"-1 1/2"	101.6×38.1	254	2.11×1.65
4"-2"	101.6×50.8	203.2	2.11×1.65
4"-2 1/2"	101.6×63.5	152.4	2.11×1.65
4"-3"	101.6×76.2	101.6	2.11×1.65
6"-3"	152.4×76.2	140	2.77×1.65
6"-4"	152.4×101.6	140	2.77×2.11

卡箍式大小头 Clamped Reducer

3A No.FT-A039



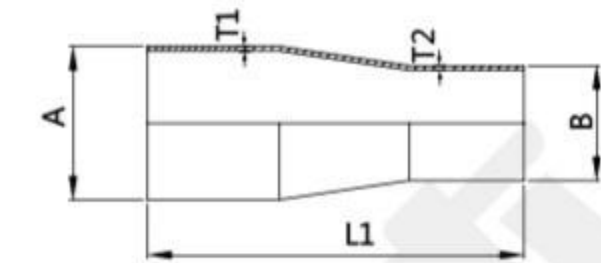
Size	A×B	K1×K2	L1	T
3/4"-1/2"	19×12.7	25.2×25.2	50.8	1.65×1.65
1"-1/2"	25.4×12.7	50.5×25.2	76.2	1.65×1.65
1"-3/4"	25.4×19	50.5×25.2	50.8	1.65×1.65
1 1/2"-3/4"	38.1×19	50.5×25.2	101.6	1.65×1.65
1 1/2"-1"	38.1×25.4	50.5×50.5	76.2	1.65×1.65
1 1/2"-1/2"	38.1×12.7	50.5×25.2	127	1.65×1.65
2"-1/2"	51×12.7	64×25.2	177.8	1.65×1.65
2"-3/4"	51×19	64×25.2	152.4	1.65×1.65
2"-1"	50.8×25.4	64×50.5	127	1.65×1.65
2"-1 1/2"	50.8×38.1	64×50.5	76.2	1.65×1.65
2 1/2"-1 1/2"	63.5×38.1	77.5×50.5	127	1.65×1.65
2 1/2"-2"	63.5×50.8	77.5×64	76.2	1.65×1.65
3"-1"	76.2×25.4	91×50.5	228.6	1.65×1.65
3"-1 1/2"	76.2×38.1	91×50.5	177.8	1.65×1.65
3"-2"	76.2×50.8	91×64	127	1.65×1.65
3"-2 1/2"	76.2×63.5	91×77.5	76.2	1.65×1.65
4"-1/2"	101.6×38.1	119×50.5	282.5	2×1.65
4"-2"	101.6×50.8	119×64	231.8	2×1.65
4"-2 1/2"	101.6×63.5	119×77.5	181	2×1.65
4"-3"	101.6×76.2	119×91	130.2	2×1.65
6"-3"	152.4×76.2	167×91	263.5	2.8×1.65
6"-4"	152.4×101.6	167×119	266.7	2.8×2.1



同心大小头
Concentric Reducer

3A No.FT-A040

Size	A×B	L1	T
1/2"×1/4"	12.7×6.35	25.4	1.65
1/2"×3/8"	12.7×9.53	25.4	1.65
3/4"×1/2"	19.1×12.7	25.4	1.65
3/4"×3/8"	19.1×9.53	25.4	1.65
1"×1/2"	25.4×12.7	38.1	1.65
1"×3/8"	25.4×9.53	38.1	1.65
1"×3/4"	25.4×19.1	25.4	1.65
1.5"×1/2"	38.1×12.7	63.5	1.65
1.5"×3/4"	38.1×19.1	50.8	1.65
1.5"×1"	38.1×25.4	50.8	1.65
2"×1/2"	50.8×12.7	114.3	1.65
2"×3/4"	50.8×19.1	101.6	1.65
2"×1"	50.8×25.4	101.6	1.65
2"×1.5"	50.8×38.1	50.8	1.65
2.5"×1"	63.5×25.4	152.4	1.65
2.5"×1.5"	63.5×38.1	101.6	1.65
2.5"×2"	63.5×50.8	50.8	1.65
3"×1"	76.2×25.4	203.2	1.65
3"×1.5"	76.2×38.1	152.4	1.65
3"×2"	76.2×50.8	101.6	1.65
3"×2.5"	76.2×63.2	50.8	1.65
4"×1"	101.6×25.4	304.8	2.1
4"×1.5"	101.6×38.1	254	2.1
4"×2"	101.6×50.8	203.2	2.1
4"×2.5"	101.6×63.2	152.4	2.1
4"×3"	101.6×76.2	101.6	2.1
5"×4"	127×101.6	70	2.77
6"×3"	152.4×76.2	241.3	2.77
6"×4"	152.4×101.6	139.7	2.77



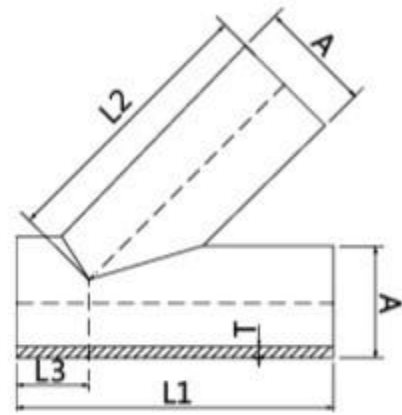
同心大小头 (加长型)
Long Concentric Reducer

3A No.FT-A041

Size	A×B	L1	L2	T
1/2"×1/4"	12.7×6.35	101.6		1.65
1/2"×3/8"	12.7×9.53	101.6		1.65
3/4"×3/8"	19.1×9.53	101.6		1.65
3/4"×1/2"	19.1×12.7	101.6		1.65
1"×1/2"	25.4×12.7	114.3		1.65
1"×3/8"	25.4×9.53	114.3		1.65
1"×3/4"	25.4×19.1	101.6		1.65
1.5"×1/2"	38.1×12.7	139.7		1.65
1.5"×3/4"	38.1×19.1	127		1.65
1.5"×1"	38.1×25.4	127		1.65
2"×1/2"	50.8×12.7	196.9		1.65
2"×3/4"	50.8×19.1	184.2		1.65
2"×1"	50.8×25.4	184.2		1.65
2"×1.5"	50.8×38.1	133.4		1.65
2.5"×1/2"	63.5×12.7	247.7		1.65
2.5"×3/4"	63.5×19.1	235		1.65
2.5"×1"	63.5×25.4	235		1.65
2.5"×1.5"	63.5×38.1	184.2		1.65
2.5"×2"	63.5×50.8	139.7		1.65
3"×1/2"	76.2×12.7	298.5		1.65
3"×1"	76.2×25.4	285.8		1.65
3"×1.5"	76.2×38.1	235		1.65
3"×2"	76.2×50.8	190.5		1.65
3"×2.5"	76.2×63.5	139.7		1.65
4"×1"	101.6×25.4	393.7		2.1
4"×1.5"	101.6×38.1	342.9		2.1
4"×2"	101.6×50.8	298.5		2.1
4"×2.5"	101.6×63.5	247.7		2.1
4"×3"	101.6×76.2	196.9		2.1
6"×4"	152.4×101.6	254		2.77

对焊“Y”型三通 Butt Weld Y-Type Tee

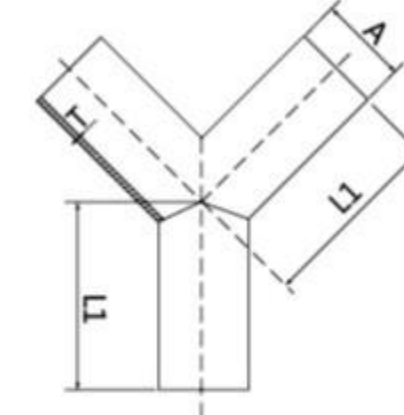
3A No.FT-A042



Size	A	L1	L2	L3	T
1/2"	12.7	152.4	127	25.4	1.65
3/4"	19.05	152.4	127	25.4	1.65
1"	25.4	152.4	127	25.4	1.65
1 1/2"	38.1	187.3	173.1	30.2	1.65
2"	50.8	222.2	180.9	41.3	1.65
2 1/2"	63.5	254	215.9	38.1	1.65
3"	76.2	273.1	225.4	47.6	1.65
4"	101.6	325.5	273.1	52.4	2.1
6"	152.4	419.1	317.5	101.6	2.8

对焊“Y”型三通 Butt Weld Y-Type Tee

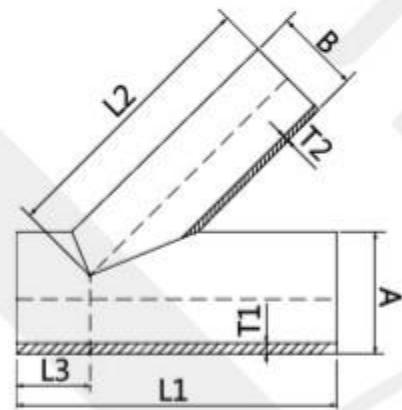
3A No.FT-A044



Size	A	L1	T
1/2"	12.7	50.8	1.65
3/4"	19.05	50.8	1.65
1"	25.4	76.2	1.65
1 1/2"	38.1	76.2	1.65
2"	50.8	101.6	1.65
2 1/2"	63.5	127	1.65
3"	76.2	152.4	1.65
4"	101.6	203.2	2.1
6"	152.4	203.2	2.8

对焊“Y”型变径三通 Butt Y-Type Reducer Tee

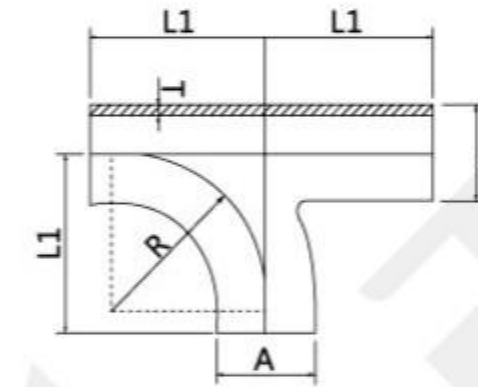
3A No.FT-A043



Size	AxB	L1	L2	L3	T1xT2
1 1/2"-1"	38.1x25.4	187.3	157.2	30.2	1.65x1.65
2"-1"	50.8x25.4	222.2	181	41.3	1.65x1.65
2"-1 1/2"	50.8x38.1	222.2	181	41.3	1.65x1.65
2 1/2"-1"	63.5x25.4	254	215.9	38.1	1.65x1.65
2 1/2"-1 1/2"	63.5x38.1	254	215.9	38.1	1.65x1.65
2 1/2"-2"	63.5x50.8	254	215.9	38.1	1.65x1.65
3"-1"	76.2x25.4	273.1	225.4	47.6	1.65x1.65
3"-1 1/2"	76.2x38.1	273.1	225.4	47.6	1.65x1.65
3"-2"	76.2x50.8	273.1	225.4	47.6	1.65x1.65
3"-2 1/2"	76.2x63.5	273.1	225.4	47.6	1.65x1.65
4"-1"	101.6x25.4	325.5	273.1	52.4	2.1x1.65
4"-1 1/2"	101.6x38.1	325.5	273.1	52.4	2.1x1.65
4"-2"	101.6x50.8	274.7	273.1	52.4	2.1x1.65
4"-2 1/2"	101.6x63.5	325.5	273.1	52.4	2.1x1.65
4"-3"	101.6x76.2	325.5	273.1	52.4	2.1x1.65

对焊“R”型三通 Butt Weld R-Type Tee

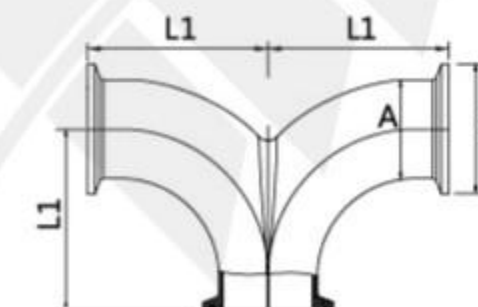
3A No.FT-A045



Size	A	R	L1	T
1"	25.4	38.1	65	1.65
1 1/2"	38.1	57.2	85	1.65
2"	50.8	76.2	110	1.65
2 1/2"	63.5	95.3	135	1.65
3"	76.2	114.3	155	1.65
4"	101.6	152.4	195	2.1

90°夹式双弯头 90°Clamp Double Elbow

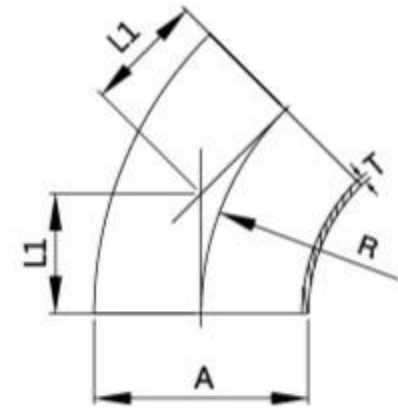
3A No.FT-A046



Size	A	K1	L1
1"	25.4	50.5	50.8
1 1/4"	31.75	50.5	69.85
1 1/2"	38.1	50.5	60.4
2"	50.8	64	88.9
2 1/2"	63.5	77.5	107.9
3"	76.2	91	127
4"	101.6	119	168.4

焊接式弯头(45°) 45° Welded Elbow

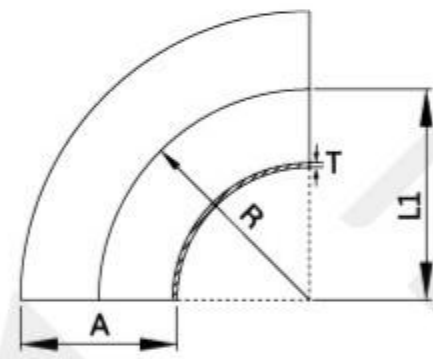
ISO/IDF No.FT-A047



Size	A	R	L1	T
1"	25.4	33.5	13.9	1.2/1.5
1 1/4"	32	38	15.7	1.2/1.5
1 1/2"	38.1	48.5	20.1	1.2/1.5
2"	50.8	60.5	25.1	1.2/1.5
2 1/2"	63.5	83.5	34.6	2
3"	76.2	88.5	36.7	2
3 1/2"	89	103.5	42.9	2
4"	101.6	127	52.1	2

焊接式弯头(90°) 90° Welded Elbow

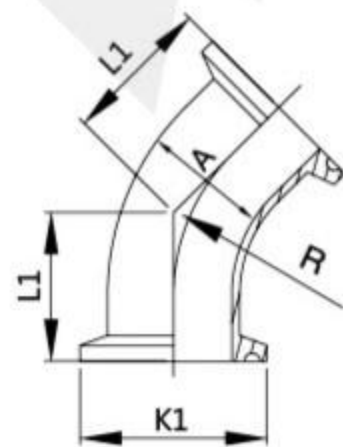
ISO/IDF No.FT-A048



Size	A	R	L1	T
1"	25.4	33.5	33.5	1.2/1.5
1 1/4"	32	38	38	1.2/1.5
1 1/2"	38.1	48.5	48.5	1.2/1.5
2"	50.8	60.5	60.5	1.2/1.5
2 1/2"	63.5	83.5	83.5	2
3"	76.2	88.5	88.5	2
3 1/2"	89	103.5	103.5	2
4"	101.6	127	127	2
4 1/2"	114.3	152.4	152.4	2
5"	127	190.5	190.5	2.77
6"	152.4	228.6	228.6	2.77

卡箍式弯头(45°) 45°Clamped Elbow

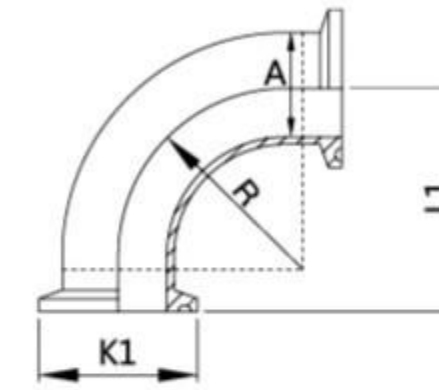
ISO/IDF No.FT-A049



Size	A	R	L1	K1
1"	25.4	33.5	35.4	50.5
1 1/4"	31.8	38	37.2	50.5
1 1/2"	38.1	48.5	41.6	50.5
2"	50.8	60.5	46.6	64
2 1/2"	63.5	83.5	56.1	77.5
3"	76.2	88.5	58.2	91
3 1/2"	89	103.5	64.4	106
4"	101.6	127	72.3	119

卡箍式弯头(90°) 90° Clamped Elbow

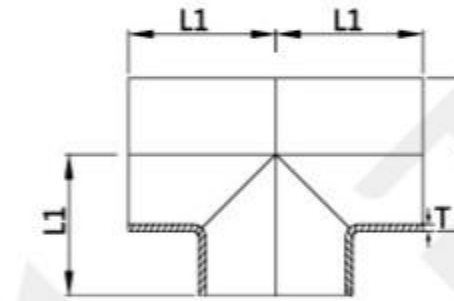
ISO/IDF No.FT-A050



Size	A	R	L1	K1
1"	25.4	33.5	55	50.5
1 1/4"	31.8	38	59.5	50.5
1 1/2"	38.1	48.5	70	50.5
2"	50.8	60.5	82	64
2 1/2"	63.5	83.5	105	77.5
3"	76.2	88.5	110	91
3 1/2"	89	103.5	125	106
4"	101.6	127	148.5	119

焊接式三通 Welded Tee

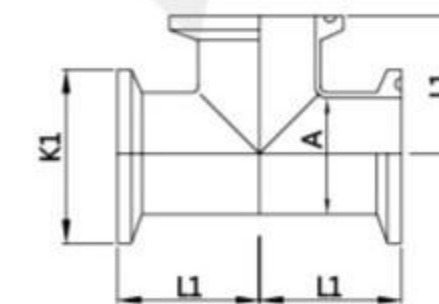
ISO/IDF No.FT-A051



Size	A	L1	T
1"	25.4	33.5	1.2/1.5
1 1/4"	31.8	38.1	1.2/1.5
1 1/2"	38.1	48.5	1.2/1.5
2"	50.8	60.5	1.2/1.5
2 1/2"	63.5	83.5	2
3"	76.2	88.5	2
3 1/2"	88.9	103.5	2
4"	101.6	127	2

卡箍式三通 Clamped Tee

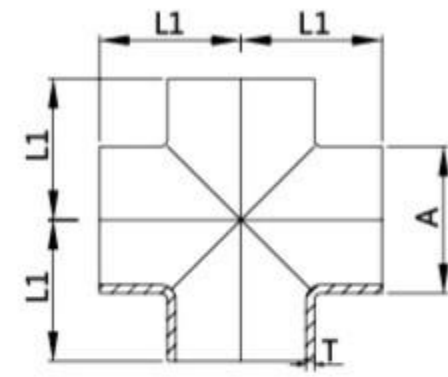
ISO/IDF No.FT-A052



Size	A	L1	K1
1"	25.4	55	50.5
1 1/4"	31.8	59.5	50.5
1 1/2"	38.1	70	50.5
2"	50.8	82	64
2 1/2"	63.5	104.5	77.5
3"	76.2	109.5	91
3 1/2"	89	124.5	106
4"	101.6	148.5	119

焊接式四通 Welded Cross

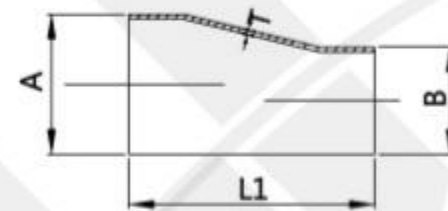
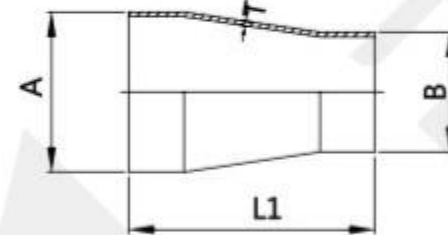
ISO/IDF No.FT-A053



Size	A	L1	T
1"	25.4	33.5	1.2/1.5
1 1/4"	32	38	1.2/1.5
1 1/2"	38	48.5	1.2/1.5
2"	51	60.5	1.2/1.5
2 1/2"	63.5	83.5	2
3"	76.2	88.5	2
3 1/2"	89	103.5	2
4"	101.6	127	2

焊接式大小头 Welded Reducer

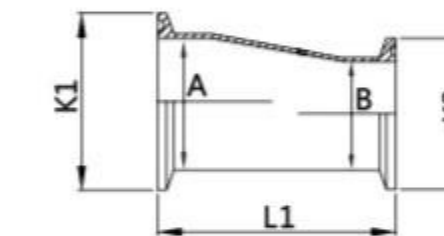
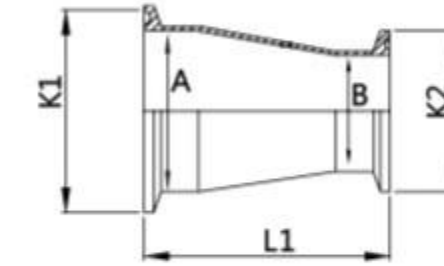
ISO/IDF No.FT-A054



Size	A×B	L1	T
1"-3/4"	25.4×19	38	1.2/1.5×1.2/1.5
1 1/4"-1"	31.8×25.4	50	1.2/1.5×1.2/1.5
1 1/2"-1"	38.1×25.4	50	1.2/1.5×1.2/1.5
1 1/2"-1 1/4"	38.1×31.8	50	1.2/1.5×1.2/1.5
2"-1"	50.8×25.4	67	1.2/1.5×1.2/1.5
2"-1 1/4"	50.8×31.8	67	1.2/1.5×1.2/1.5
2"-1 1/2"	50.8×38.1	67	1.2/1.5×1.2/1.5
2 1/2"-1"	63.5×25.4	67	2×1.2/1.5
2 1/2"-1 1/2"	63.5×38.1	67	2×1.2/1.5
2 1/2"-2"	63.5×50.8	67	2×1.2/1.5
3"-1 1/2"	76.2×38.1	67	2×1.2/1.5
3"-2"	76.2×50.8	67	2×1.2/1.5
3"-2 1/2"	76.2×63.5	67	2×2
3 1/2"-2"	88.9×50.8	67	2×1.2/1.5
3 1/2"-2 1/2"	88.9×63.5	67	2×2
3 1/2"-3"	88.9×76.2	67	2×2
4"-2"	101.6×50.8	102	2×1.2/1.5
4"-2 1/2"	101.6×63.5	102	2×2
4"-3"	101.6×76.2	102	2×2
4"-3 1/2"	101.6×88.9	102	2×2

卡箍式大小头 Clamped Reducer

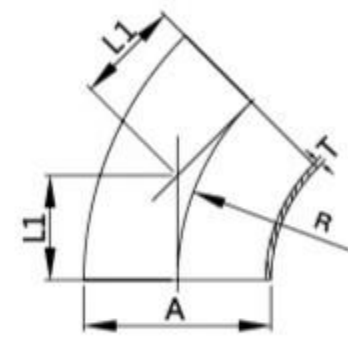
ISO/IDF No.FT-A055



Size	A×B	K1×K2	L1
1"×3/4"	25.4×19	50.5×34	80
1 1/4"×1"	31.8×25.4	50.5×50.5	92
1 1/2"×1 1/4"	38.1×31.8	50.5×50.5	92
1 1/2"×1"	38.1×25.4	50.5×50.5	92
2"×1 1/2"	50.8×38.1	64×50.5	109
2"×1 1/4"	50.8×31.8	64×50.5	109
2"×1"	50.8×25.4	64×50.5	109
2 1/2"×2"	63.5×50.8	77.5×64	109
2 1/2"×1 1/2"	63.5×38.1	77.5×50.5	109
2 1/2"×1"	63.5×25.4	77.5×50.5	109
3"×2 1/2"	76.2×63.5	91×77.5	109
3"×2"	76.2×50.8	91×64	109
3"×1 1/2"	76.2×38.1	91×50.5	109
3 1/2"×3"	89×76.2	106×91	109
3 1/2"×2 1/2"	89×63.5	106×77.5	109
3 1/2"×2"	89×50.8	106×64	109
4"×3 1/2"	101.6×89	119×106	145
4"×3"	101.6×76.2	119×91	145
4"×2 1/2"	101.6×63.5	119×77.5	145
4"×2"	101.6×50.8	119×64	145

短型焊接式弯头(45°) 45° Short Welded Elbow

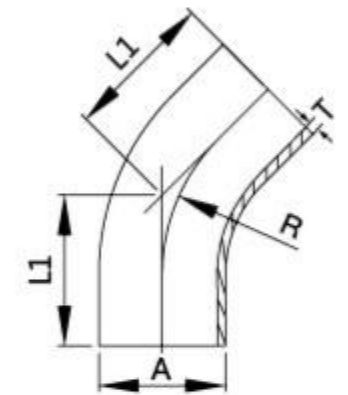
BS No.FT-A056



Size	A	R	L1	T
1"	25.4	38.1	15.8	1.65
1 1/2"	38.1	57.2	23.7	1.65
2"	50.8	76.2	31.8	1.65
2 1/2"	63.5	95.3	39.6	1.65
3"	76.2	114.3	47.5	1.65
4"	101.6	152.4	63.2	2.11

长型焊接式弯头(45°) 45° Long Welded Elbow

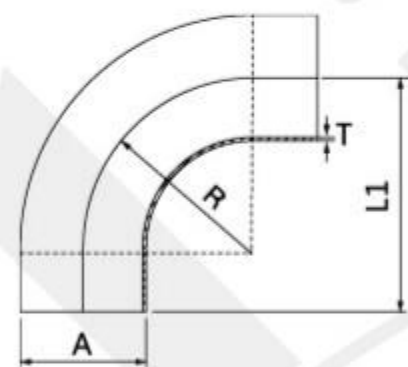
BS No.FT-A057



Size	A	R	L1	T
1"	25.4	38.1	30.2	1.65
1 1/2"	38.1	57.2	41.3	1.65
2"	50.8	76.2	58.7	1.65
2 1/2"	63.5	95.3	76.2	1.65
3"	76.2	114.3	93.7	1.65
4"	101.6	152.4	122.2	2.11

焊接式弯头(90°) 90° Welded Elbow

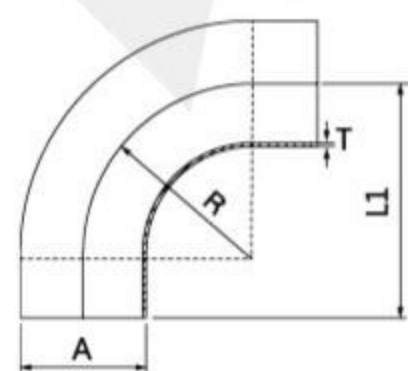
BS No.FT-A058



Size	A	R	L1	T
1"	25.4	38.1	43.5	1.65
1 1/4"	31.8	47.7	53.5	1.65
1 1/2"	38.1	57.2	63.5	1.65
2"	50.8	76.2	88.5	1.65
2 1/2"	63.5	95.3	113.5	1.65
3"	76.2	114.3	133.5	1.65
4"	101.6	152.4	173.5	2.11

长型焊接式弯头(90°) 90° Long Welded Elbow

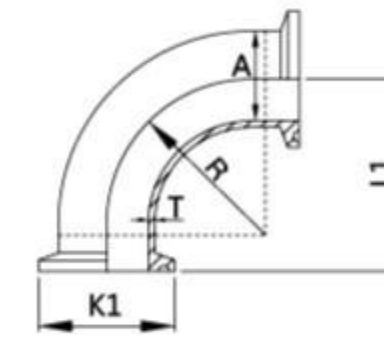
BS No.FT-A059



Size	A	R	L1	T
1/2"	12.7	19	45	1.65
3/4"	19	28.58	60	1.65
1"	25.4	38.1	65	1.65
1 1/4"	31.8	47.7	75	1.65
1 1/2"	38.1	57.2	85	1.65
2"	50.8	76.2	110	1.65
2 1/2"	63.5	95.3	135	1.65
3"	76.2	114.3	155	1.65
4"	101.6	152.4	195	12.11

卡箍式弯头(90°) 90° Clamped Elbow

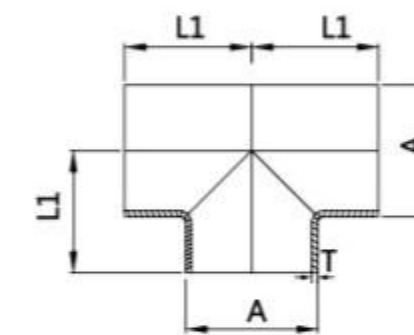
BS No.FT-A060



Size	A	R	L1	K1	T
1"	25.4	38.1	65	50.5	1.65
1 1/2"	38.1	57.2	85	50.5	1.65
2"	50.8	76.2	110	64	1.65
2 1/2"	63.5	95.3	135	77.5	1.65
3"	76.2	114.3	155	91	1.65
4"	101.6	152.4	195	119	2.11

短型焊接式三通 Short Welded Tee

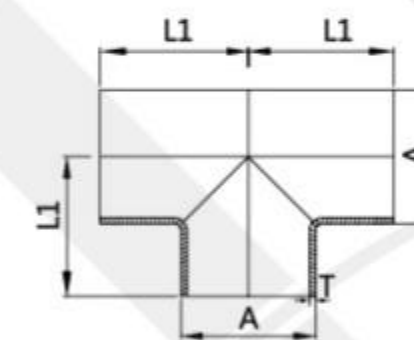
BS No.FT-A061



Size	A	L1	T
1"	25.4	43.5	1.65
1 1/4"	31.8	53.5	1.65
1 1/2"	38.1	63.5	1.65
2"	50.8	88.5	1.65
2 1/2"	63.5	113.5	1.65
3"	76.2	133.5	1.65
4"	101.6	173.5	2.11

长型焊接式三通 Long Welded Tee

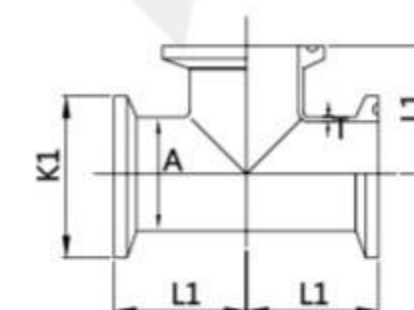
BS No.FT-A062



Size	A	L1	T
1"	25.4	65	1.65
1 1/2"	38.1	85	1.65
2"	50.8	110	1.65
2 1/2"	63.5	135	1.65
3"	76.2	155	1.65
4"	101.6	195	2.11

卡箍式三通 Clamped Tee

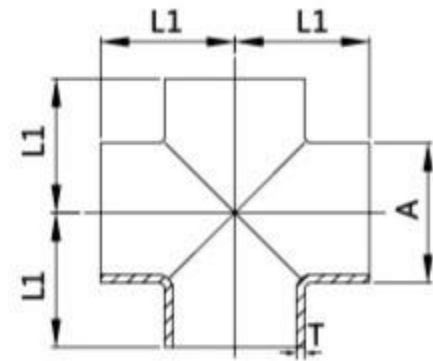
BS No.FT-A063



Size	A	L1	K1	T
1/2"	12.7	57.2	25.4	1.65
3/4"	19	60.3	25.4	1.65
1"	25.4	66.7	50.5	1.65
1 1/2"	38.1	73	50.5	1.65
2"	50.8	85.7	64	1.65
2 1/2"	63.5	92.1	77.5	1.65
3"	76.2	98.4	91	1.65
4"	101.6	120.7	119	2.11

焊接式四通 Welded Cross

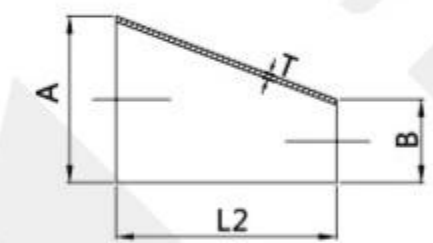
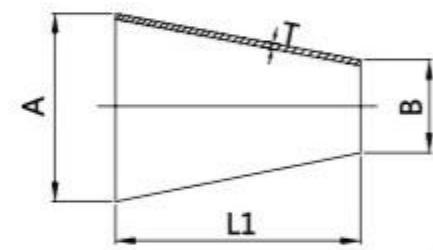
BS No.FT-A064



Size	A	L1	T
1"	25.4	65	1.65
1 1/2"	38.1	85	1.65
2"	50.8	110	1.65
2 1/2"	63.5	135	1.65
3"	76.2	155	1.65
4"	101.6	195	2.11

同心/偏心变径 Concentric/Eccentric Reducer

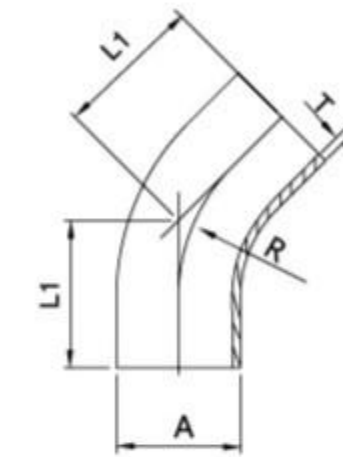
BS No.FT-A065



Size	A×B	L1	L2	T
1.5"-1"	38.1×25.4	29	35	1.6
2"-1"	50.8×25.4	53	54	1.6
2"-1.5"	50.8×38.1	41	36	1.6
2.5"-1"	63.5×25.4	82	76	1.6
2.5"-1.5"	63.5×38.1	64	66	1.6
2.5"-2"	63.5×50.8	40	35	1.6
3"-1"	76.2×25.4	110	112	1.6
3"-1.5"	76.2×38.1	81	38.1	1.6
3"-2"	76.2×50.8	55	50.8	1.6
3"-2.5"	76.2×63.5	41	63.5	1.6
4"-1.5"	101.6×38.1	135	38.1	2
4"-2"	101.6×50.8	106	50.8	2
4"-2.5"	101.6×63.5	76	63.5	2
4"-3"	101.6×76.2	53	76.2	2

长型焊接式弯头(45°) 45° Long Welded Elbow

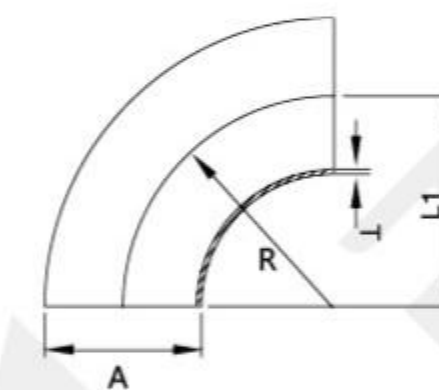
AS No.FT-A066



Size	A	R	L1	T
1/2"	12.7	19.05	37.9	1.6
3/4"	19.1	28.6	41.8	1.6
1"	25.4	38.1	45.8	1.6
1 1/4"	31.8	47.7	49.7	1.6
1 1/2"	38.1	57.2	53.7	1.6
2"	50.8	76.2	61.6	1.6
2 1/2"	63.5	95.3	69.5	1.6
3"	76.2	114.3	77.3	1.6
4"	101.6	152.4	92.8	2

焊接式弯头(90°) 90° Welded Elbow

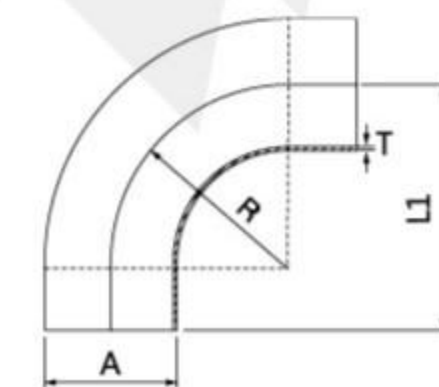
AS No.FT-A067



Size	A	R	L1	T
1/2"	12.7	19.05	19.1	1.6
3/4"	19.1	28.6	28.6	1.6
1"	25.4	38.1	38.1	1.6
1 1/4"	31.8	47.7	47.7	1.6
1 1/2"	38.1	57.2	57	1.6
2"	50.8	76.2	76.2	1.6
2 1/2"	63.5	95	95	1.6
3"	76.2	114.3	114.2	1.6
4"	101.6	152.4	152.4	2

长型焊接式弯头(90°) 90° Long Welded Elbow

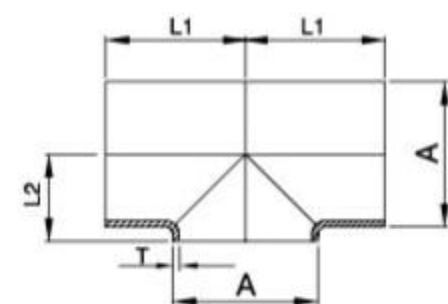
AS No.FT-A068



Size	A	R	L1	T
1/2"	12.7	19.05	49.1	1.6
3/4"	19.1	28.6	58.6	1.6
1"	25.4	38.1	68.1	1.6
1 1/4"	31.8	47.7	77.7	1.6
1 1/2"	38.1	57.2	87	1.6
2"	50.8	76.2	106.2	1.6
2 1/2"	63.5	95	125	1.6
3"	76.2	114.3	144.2	1.6
4"	101.6	152.4	182.4	2

平口焊接三通 Short Welded Tee

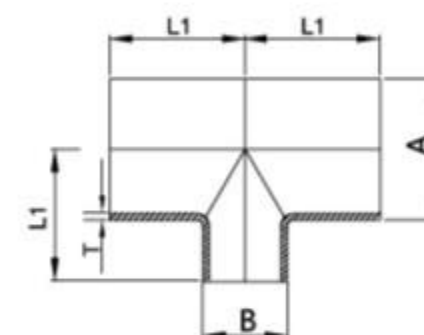
AS No.FT-A069



Size	A	L1	L2	T
1/2"	12.7	19.1	9.35	1.6
3/4"	19.1	28.6	12.55	1.6
1"	25.4	38.1	15.7	1.6
1 1/4"	31.8	47.7	18.9	1.6
1 1/2"	38.1	57	22.05	1.6
2"	50.8	76.2	28.4	1.6
2 1/2"	63.5	95	34.75	1.6
3"	76.2	114.2	41.1	1.6
4"	101.6	152.4	53.8	2

变径焊接三通 Reducing Welded Tee

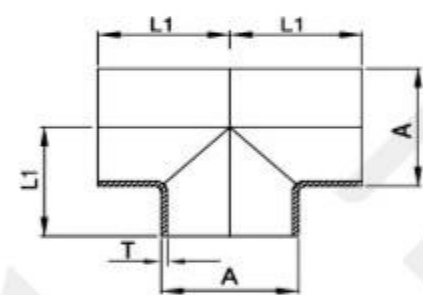
AS No.FT-A072



Size	A×B	L1	T
1 1/2"- 1"	38.1×25.4	80	1.6
2"- 1"	50.8×25.4	80	1.6
2"- 1 1/2"	50.8×38.1	80	1.6
2 1/2"- 1 1/2"	63.5×38.1	80	1.6
2 1/2"- 2"	63.5×50.8	80	1.6
3"- 1 1/2"	76.2×38.1	80	1.6
3"- 2"	76.2×50.8	80	1.6
3"- 2 1/2"	76.2×63.5	80	1.6
4"- 2"	101.6×50.8	80	1.6
4"- 2 1/2"	101.6×63.5	80	1.6
4"- 3"	101.6×76.2	80	2

焊接三通 Welded Tee

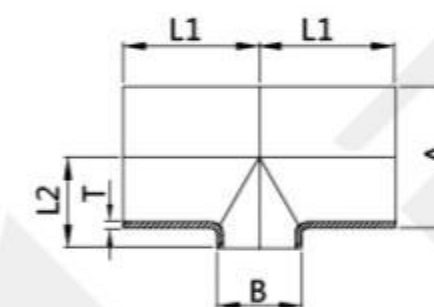
AS No.FT-A070



Size	A	L1	T
1/2"	12.7	19.1	1.6
3/4"	19.1	28.6	1.6
1"	25.4	38.1	1.6
1 1/4"	31.8	47.7	1.6
1 1/2"	38.1	57	1.6
2"	50.8	76.2	1.6
2 1/2"	63.5	95	1.6
3"	76.2	114.2	1.6
4"	101.6	152.4	2

平口变径焊接三通 Short Reducing Welded Tee

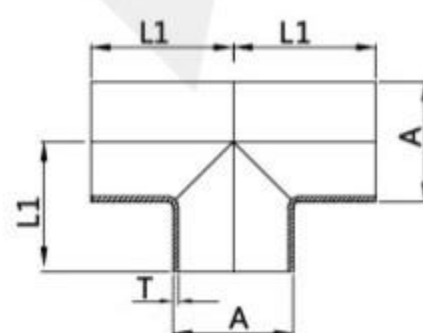
AS No.FT-A073



Size	A×B	L1	L2	T
1 1/2"- 1"	38.1×25.4	80	22.05	1.6
2"- 1"	50.8×25.4	80	28.4	1.6
2"- 1 1/2"	50.8×38.1	80	28.4	1.6
2 1/2"- 1 1/2"	63.5×38.1	80	34.75	1.6
2 1/2"- 2"	63.5×50.8	80	34.75	1.6
3"- 1 1/2"	76.2×38.1	80	41.1	1.6
3"- 2"	76.2×50.8	80	41.1	1.6
3"- 2 1/2"	76.2×63.5	80	41.1	1.6
4"- 2"	101.6×50.8	80	53.8	1.6
4"- 2 1/2"	101.6×63.5	80	53.8	1.6
4"- 3"	101.6×76.2	80	53.8	2

长型焊接三通 Long Welded Tee

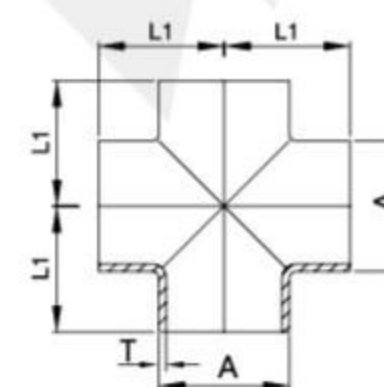
AS No.FT-A071



Size	A	L1	T
1/2"	12.7	49.1	1.6
3/4"	19.1	58.6	1.6
1"	25.4	68.1	1.6
1 1/4"	31.8	77.7	1.6
1 1/2"	38.1	87	1.6
2"	50.8	106.2	1.6
2 1/2"	63.5	125	1.6
3"	76.2	144.2	1.6
4"	101.6	182.4	2

焊接四通 Welded Cross

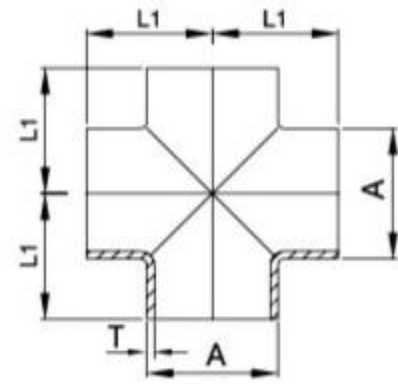
AS No.FT-A074



Size	A	L1	T
1/2"	12.7	19.1	1.6
3/4"	19.1	28.6	1.6
1"	25.4	38.1	1.6
1 1/4"	31.8	47.7	1.6
1 1/2"	38.1	57	1.6
2"	50.8	76.2	1.6
2 1/2"	63.5	95	1.6
3"	76.2	114.2	1.6
4"	101.6	152.4	2

长型焊接式四通 Long Welded Cross

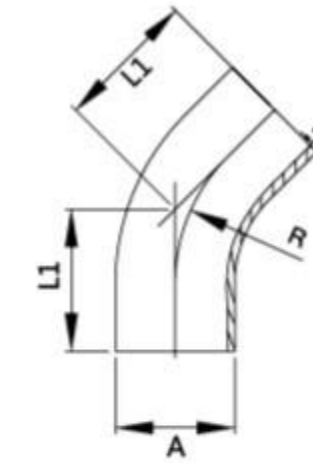
AS No.FT-A075



Size	A	L1	T
1/2"	12.7	49.1	1.6
3/4"	19.1	58.6	1.6
1"	25.4	68.1	1.6
1 1/4"	31.8	77.7	1.6
1 1/2"	38.1	87	1.6
2"	50.8	106.2	1.6
2 1/2"	63.5	125	1.6
3"	76.2	144.2	1.6
4"	101.6	182.4	2

长型焊接式弯头(45°) 45° Long Welded Elbow

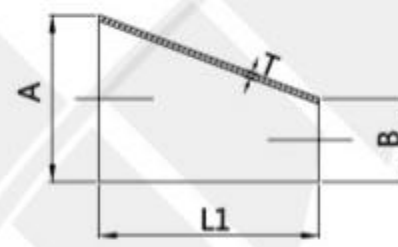
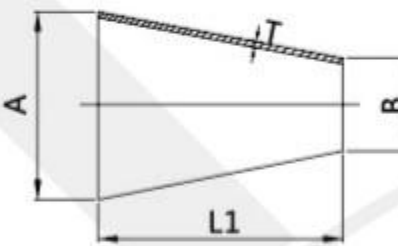
BPE No.FT-A077



Size	A	R	L1	T
1/2"	12.7	19.1	57.2	1.65
3/4"	19.05	28.6	57.2	1.65
1"	25.4	38.1	57.2	1.65
1 1/2"	38.1	57.2	63.5	1.65
2"	50.8	76.2	76.2	1.65
2 1/2"	63.5	95.3	85.7	1.65
3"	76.2	114.3	92.1	1.65
4"	101.6	152.4	114.3	2.11
6"	152.4	288.6	158.8	2.77

焊接式大小 Welded Reducer

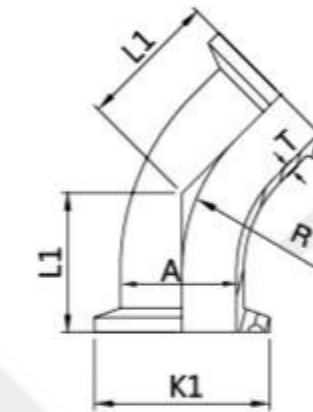
AS No.FT-A076



Size	A×B	L1	T
3/4"- 1/2"	19.1×12.7	19.1	1.6
1"- 1/2"	25.4×12.7	25.4	1.6
1"- 3/4"	25.4×19.1	25.4	1.6
1 1/4"- 3/4"	31.8×19.1	31.8	1.6
1 1/4"- 1"	31.8×25.4	31.8	1.6
1 1/2"- 3/4"	38.1×19.1	38.1	1.6
1 1/2"- 1"	38.1×25.4	38.1	1.6
2"- 1/2"	50.8×12.7	50.8	1.6
2"- 3/4"	50.8×19.1	50.8	1.6
2"- 1"	50.8×25.4	50.8	1.6
2"- 1 1/4"	50.8×31.8	50.8	1.6
2"- 1 1/2"	50.8×38.1	50.8	1.6
2 1/2"- 1"	63.5×25.4	63.5	1.6
2 1/2"- 1 1/4"	63.5×31.8	63.5	1.6
2 1/2"- 1 1/2"	63.5×38.1	63.5	1.6
2 1/2"- 2"	63.5×50.8	63.5	1.6
3"- 1"	76.2×25.4	76.2	1.6
3"- 1 1/4"	76.2×31.8	76.2	1.6
3"- 1 1/2"	76.2×38.1	76.2	1.6
3"- 2"	76.2×50.8	76.2	1.6
3"- 2 1/2"	76.2×63.5	76.2	1.6
4"- 1"	101.6×25.4	101.6	2
4"- 1 1/4"	101.6×31.8	101.6	2
4"- 1 1/2"	101.6×38.1	101.6	2
4"- 2"	101.6×50.8	101.6	2
4"- 2 1/2"	101.6×63.5	101.6	2
4"- 3"	101.6×76.2	101.6	2

卡箍式弯头(45°) 45° Clamped Elbow

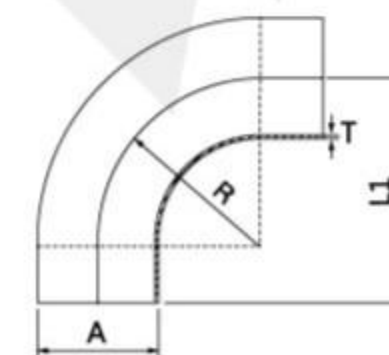
BPE No.FT-A078



Size	A	R	L1	K1	T
1/2"	12.7	19.1	25.4	25.4	1.65
3/4"	19	28.6	25.4	25.4	1.65
1"	25.4	38.1	28.6	50.5	1.65
1 1/2"	38.1	57.2	36.5	50.5	1.65
2"	50.8	76.2	44.5	64	1.65
2 1/2"	63.5	95.3	52.4	77.5	1.65
3"	76.2	114.3	60.3	91	1.65
4"	101.6	152.4	79.4	119	2.11
6"	152.4	288.6	133.4	166.8	2.77

焊接式弯头(90°) 90° Welded Elbow

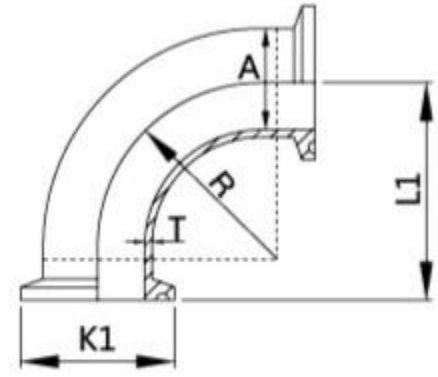
BPE No.FT-A079



Size	A	R	L1	T
1/2"	12.7	19.1	76.2	1.65
3/4"	19.05	28.6	76.2	1.65
1"	25.4	38.1	76.2	1.65
1 1/2"	38.1	57.2	95.3	1.65
2"	50.8	76.2	120.7	1.65
2 1/2"	63.5	95.3	139.7	1.65
3"	76.2	114.3	158.8	1.65
4"	101.6	152.4	203.2	2.11
6"	152.4	228.6	292	2.77

卡箍式弯头(90°) 90° Clamped Elbow

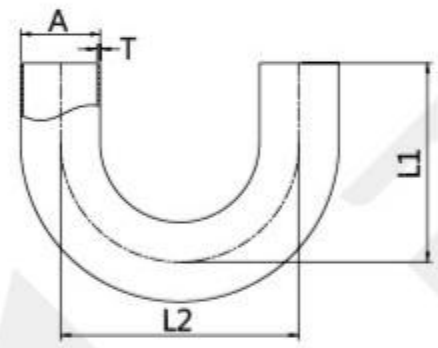
BPE No.FT-A80



Size	A	R	L1	K1	T
1/2"	12.7	19	41.3	25.4	1.65
3/4"	19	28.6	41.3	25.4	1.65
1"	25.4	38.1	50.8	50.5	1.65
1 1/2"	38.1	57.2	69.9	50.5	1.65
2"	50.8	76.2	88.9	64	1.65
2 1/2"	63.5	95.3	108	77.5	1.65
3"	76.2	114.3	127	91	1.65
4"	101.6	152.4	168.3	119	2.11
6"	152.4	228.6	266.7	166.8	2.77

焊接式弯头(180°) 180° Welded Elbow

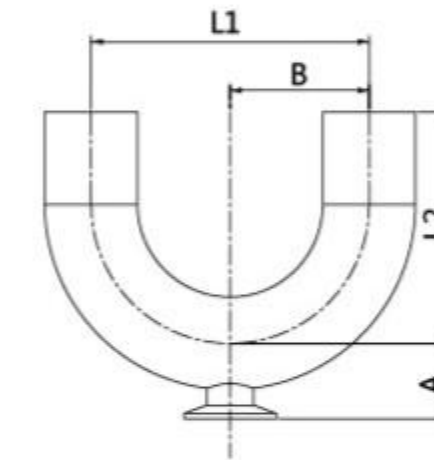
BPE No.FT-A81



Size	A	L1	L2	T
1/2"	12.7	88.9	38.1	1.65
3/4"	19.05	88.9	57.2	1.65
1"	25.4	88.9	76.2	1.65
1 1/2"	38.1	127	114.3	1.65
2"	50.8	127	152.4	1.65
2 1/2"	63.5	146.1	190.5	1.65
3"	76.2	165.1	228.6	1.65
4"	101.6	215.9	304.8	2.1

焊接式弯头(180°) 180° Welded Elbow

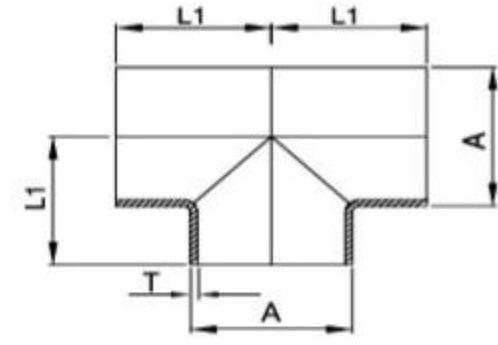
BPE No.FT-A082



Size	A	B	L1	L2
3/4"×1/2"	25.4	57.15	57.2	95.25
1"×1/2"	25.58	57.15	76.2	95.25
1"×3/4"	25.58	57.15	76.2	95.25
1 1/2"×1/2"	34.93	76.2	114.3	114.3
1 1/2"×3/4"	34.93	76.2	114.3	114.3
1 1/2"×1"	34.93	76.2	114.3	114.3
2"×1/2"	41.28	76.2	152.4	127
2"×3/4"	41.28	76.2	152.4	127
2"×1"	41.28	76.2	152.4	127
2"×1 1/2"	41.28	76.2	152.4	127
2 1/2"×1/2"	47.63	95.25	190.5	146.05
2 1/2"×3/4"	47.63	95.25	190.5	146.05
2 1/2"×1"	47.63	95.25	190.5	146.05
2 1/2"×1 1/2"	47.63	95.25	190.5	146.05
2 1/2"×2"	47.63	95.25	190.5	146.05
3"×1/2"	53.98	114.3	228.6	165.1
3"×3/4"	53.98	114.3	228.6	165.1
3"×1"	53.98	114.3	228.6	165.1
3"×1 1/2"	53.98	114.3	228.6	165.1
3"×2"	53.95	114.3	228.6	165.1
3"×2 1/2"	53.95	114.3	228.6	165.1
4"×1/2"	66.68	152.4	304.8	215.9
4"×3/4"	66.68	152.4	304.8	215.9
4"×1"	66.68	152.4	304.8	215.9
4"×1 1/2"	66.68	152.4	304.8	215.9
4"×2"	66.68	152.4	304.8	215.9
4"×2 1/2"	66.68	152.4	304.8	215.9
4"×3"	66.68	152.4	304.8	215.9

焊接式三通 Welded Tee

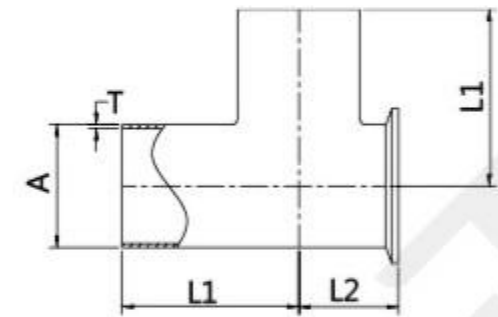
BPE No.FT-A083



Size	A	L1	T
1/2"	12.7	47.6	1.65
3/4"	19.05	50.8	1.65
1"	25.4	54	1.65
1 1/2"	38.1	60.3	1.65
2"	50.8	73	1.65
2 1/2"	63.5	79.4	1.65
3"	76.2	85.7	1.65
4"	101.6	104.8	2.1

焊接式三通 Welded Tee

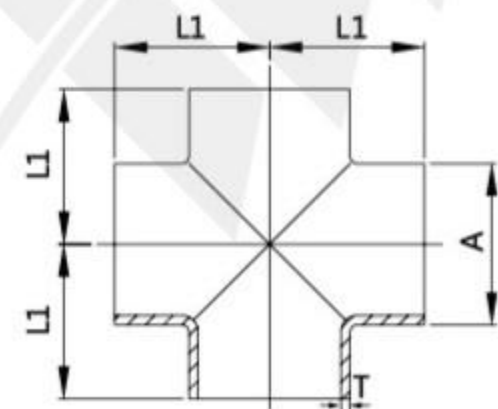
BPE No.FT-A084



Size	A	L1	L2	T
1/2"	12.7	47.6	22.2	1.65
3/4"	19.05	50.8	19.05	1.65
1"	25.4	54	25.4	1.65
1 1/2"	38.1	60.3	38.1	1.65
2"	50.8	73	50.8	1.65
2 1/2"	63.5	79.4	63.5	1.65
3"	76.2	85.7	76.2	1.65
4"	101.6	104.8	101.6	2.1

焊接式四通 Welded Cross

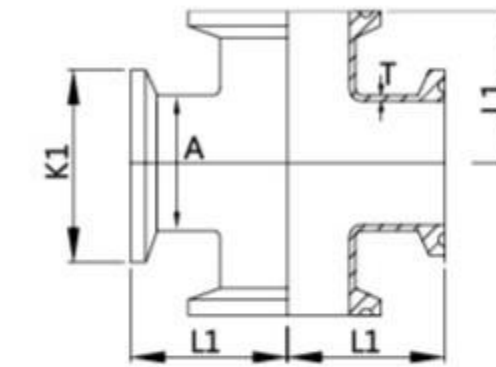
BPE No.FT-A085



Size	A	L1	T
1/2"	12.7	47.6	1.65
3/4"	19.05	50.8	1.65
1"	25.4	54	1.65
1 1/2"	38.1	60.3	1.65
2"	50.8	73	1.65
2 1/2"	63.5	79.4	1.65
3"	76.2	85.7	1.65
4"	101.6	104.8	2.11
6"	152.4	142.9	2.77

卡箍式四通 Clamped Cross

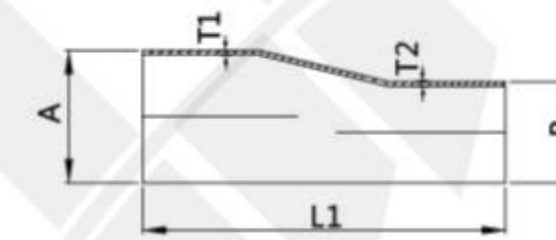
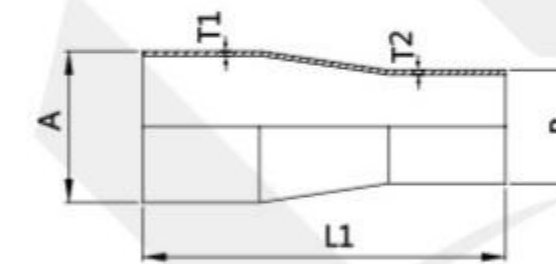
BPE No.FT-A086



Size	A	L1	K1	T
1/2"	12.7	57.2	25.4	1.65
3/4"	19	60.3	25.4	1.65
1"	25.4	66.7	50.5	1.65
1 1/2"	38.1	73	50.5	1.65
2"	50.8	85.7	64	1.65
2 1/2"	63.5	92.1	77.5	1.65
3"	76.2	98.4	91	1.65
4"	101.6	120.7	119	2.11
6"	152.4	181	166.8	2.77

焊接同心/偏心大小头 Welded Concentric Reducer

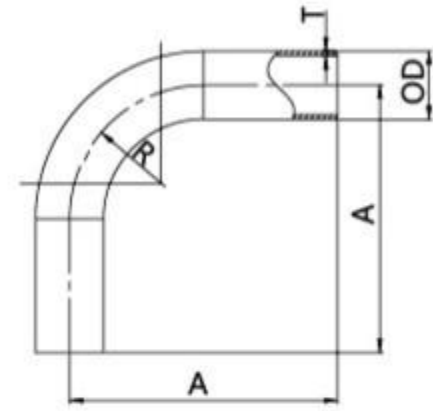
BPE No.FT-A087



Size	A×B	L1	T1 × T2
3/4"-1/2"	19.05×12.7	101.6	1.65×1.65
1"-1/2"	25.4×12.7	114.3	1.65×1.65
1"-3/4"	25.4×19.05	114.3	1.65×1.65
1 1/2"-1/2"	38.1×12.7	139.7	1.65×1.65
1 1/2"-3/4"	38.1×19.05	127	1.65×1.65
1 1/2"-1"	38.1×25.4	127	1.65×1.65
2"-1/2"	50.8×12.7	196.9	1.65×1.65
2"-3/4"	50.8×19.05	184.2	1.65×1.65
2"-1"	50.8×25.4	184.2	1.65×1.65
2"-1 1/2"	50.8×38.1	133.4	1.65×1.65
2 1/2"-1/2"	63.5×12.7	247.7	1.65×1.65
2 1/2"-3/4"	63.5×19.05	235	1.65×1.65
2 1/2"-1"	63.5×25.4	235	1.65×1.65
2 1/2"-1 1/2"	63.5×38.1	184.2	1.65×1.65
2 1/2"-2"	63.5×50.8	139.7	1.65×1.65
3"-1"	76.2×25.4	285.8	1.65×1.65
3"-1 1/2"	76.2×38.1	235	1.65×1.65
3"-2"	76.2×50.8	190.5	1.65×1.65
3"-2 1/2"	76.2×63.5	139.7	1.65×1.65
4"-1"	76.2×25.4	393.7	1.65×1.65
4"-1 1/2"	76.2×38.1	342.9	1.65×1.65
4"-2"	101.6×50.8	298.5	2.11×1.65
4"-2 1/2"	101.6×63.5	247.7	2.11×1.65
4"-3"	101.6×76.2	196.9	2.11×1.65
6"-4"	152.4×101.6	254	2.8×2.11

弯头 (90°) 90°Elbow

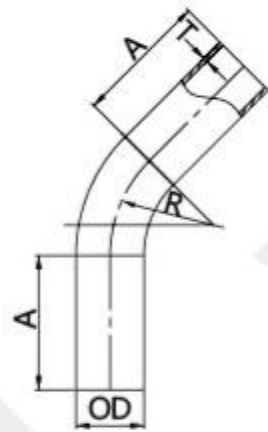
JIS No.FT-A088



Size	OD	T	R	A
8A	13.8	1.2	25.4	55
10A	17.3	1.2	25.4	62
15A	21.7	1.65	38.1	75
20A	27.2	1.65	38.1	75
25A	34	1.65	38.1	75
32A	42.7	1.65	47.6	94
40A	48.6	1.65	57.2	104
50A	60.5	1.65	76.2	123
65A	76.3	2.1	95.3	147
80A	89.1	2.1	114.3	166
100A	114.3	2.1	152.4	204

弯头 (45°) 45°Elbow

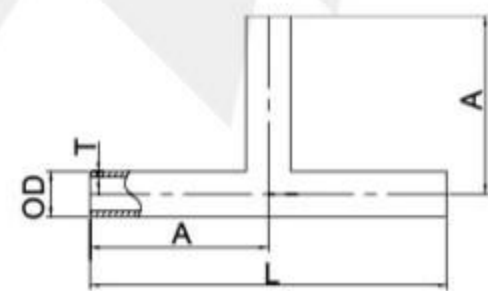
JIS No.FT-A089



Size	OD	T	R	A
8A	13.8	1.2	25.4	40
10A	17.3	1.2	25.4	47
15A	21.7	1.65	38.1	52
20A	27.2	1.65	38.1	52
25A	34	1.65	38.1	52
32A	42.7	1.65	47.6	66
40A	48.6	1.65	57.2	70
50A	60.5	1.65	76.2	78
65A	76.3	2.1	95.3	91
80A	89.1	2.1	114.3	99
100A	114.3	2.1	152.4	115

等径三通 Equal Tee

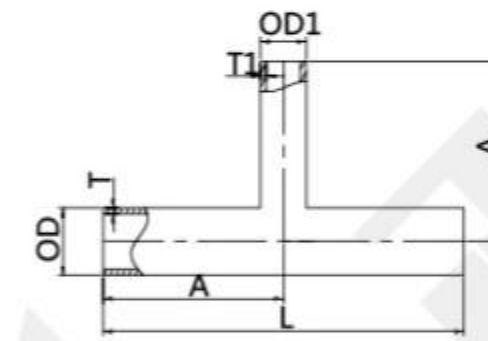
JIS No.FT-A090



Size	OD	T	A	L
8A	13.8	1.2	42	84
10A	17.3	1.2	49	98
15A	21.7	1.65	59	118
20A	27.2	1.65	65	130
25A	34	1.65	68	136
32A	42.7	1.65	88	176
40A	48.6	1.65	95	190
50A	60.5	1.65	102	204
65A	76.3	2.1	121	242
80A	89.1	2.1	130	206
100A	114.3	2.1	145	290

焊接式三通 Welded Tee

JIS No.FT-A091

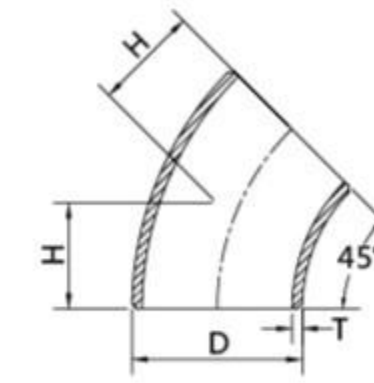
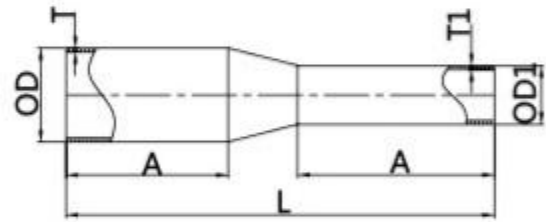


Size	OD	T	OD1	T1	A	B
10A×8A	17.3	1.2	13.8	1.2	47	44
15A×8A	21.7	1.65	13.8	1.2	47	44
15A×10A	21.7	1.65	17.3	1.2	52	52
20A×8A	27.2	1.65	13.8	1.2	47	47
20A×10A	27.2	1.65	17.3	1.2	55	55
20A×15A	27.2	1.65	21.7	1.65	55	55
25A×8A	34	1.65	13.8	1.2	47	50
25A×10A	34	1.65	17.3	1.2	59	59
25A×15A	34	1.65	21.7	1.65	59	59
25A×20A	34	1.65	27.2	1.65	59	59
32A×8A	42.7	1.65	13.8	1.2	57	54
32A×10A	42.7	1.65	17.3	1.2	68	62
32A×15A	42.7	1.65	21.7	1.65	68	62
32A×20A	42.7	1.65	27.2	1.65	68	62
32A×25A	42.7	1.65	34	1.65	68	62
40A×8A	48.6	1.65	13.8	1.2	57	57
40A×10A	48.6	1.65	17.3	1.2	68	65
40A×15A	48.6	1.65	21.7	1.65	68	65
40A×20A	48.6	1.65	27.2	1.65	68	65
40A×25A	48.6	1.65	34	1.65	68	65
40A×32A	48.6	1.65	42.7	1.65	77	77
50A×8A	60.5	1.65	13.8	1.2	57	63
50A×10A	60.5	1.65	17.3	1.2	68	71
50A×15A	60.5	1.65	21.7	1.65	68	71
50A×20A	60.5	1.65	27.2	1.65	68	71
50A×25A	60.5	1.65	34	1.65	68	71
50A×32A	60.5	1.65	42.7	1.65	83	83
50A×40A	60.5	1.65	48.6	1.65	83	83
65A×15A	76.3	2.1	21.7	1.65	72	79
65A×20A	76.3	2.1	27.2	1.65	72	79
65A×25A	76.3	2.1	34	1.65	72	79
65A×32A	76.3	2.1	42.7	1.65	88	90
65A×40A	76.3	2.1	48.6	1.65	88	90
65A×50A	76.3	2.1	60.5	1.65	88	90
80A×15A	89.1	2.1	21.7	1.65	72	85
80A×20A	89.1	2.1	27.2	1.65	72	85
80A×25A	89.1	2.1	34	1.65	72	85
80A×32A	89.1	2.1	42.7	1.65	88	96
80A×40A	89.1	2.1	48.6	1.65	88	96
80A×50A	89.1	2.1	60.5	1.65	88	96
80A×65A	89.1	2.1	76.3	2.1	103	103
100A×15A	114.3	2.1	21.7	1.65	72	98
100A×20A	114.3	2.1	27.3	1.65	72	98
100A×25A	114.3	2.1	34	1.65	72	98
100A×32A	114.3	2.1	42.7	1.65	88	109
100A×40A	114.3	2.1	48.6	1.65	88	109
100A×50A	114.3	2.1	60.5	1.65	88	109
100A×65A	114.3	2.1	76.3	2.1	116	116
100A×80A	114.3	2.1	89.1	2.1	116	116

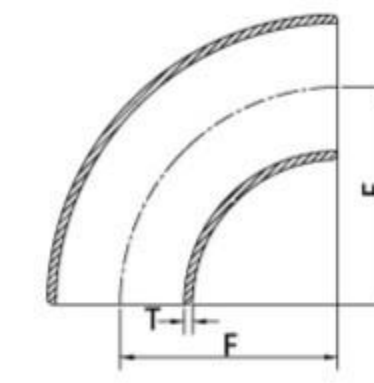
焊接同心大小头 Welded Concentric Reducer

JIS No.FT-A092

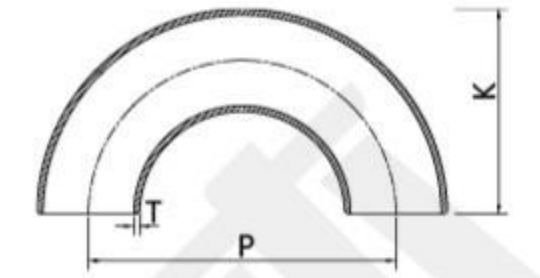
Size	OD	T	OD1	T1	A	B
10A×8A	17.3	1.2	13.8	1.2	36	90
15A×8A	21.7	1.65	13.8	1.2	36	100
15A×10A	21.7	1.65	17.3	1.2	36	100
20A×8A	27.2	1.65	13.8	1.2	36	105
20A×10A	27.2	1.65	17.3	1.2	36	105
20A×15A	27.2	1.65	21.7	1.65	36	105
25A×8A	34	1.65	13.8	1.2	36	120
25A×10A	34	1.65	17.3	1.2	36	120
25A×15A	34	1.65	21.7	1.65	36	120
25A×20A	34	1.65	27.2	1.65	36	120
32A×8A	42.7	1.65	13.8	1.2	46	125
32A×10A	42.7	1.65	17.3	1.2	46	125
32A×15A	42.7	1.65	21.7	1.65	46	125
32A×20A	42.7	1.65	27.2	1.65	46	125
32A×25A	42.7	1.65	34	1.65	46	125
40A×8A	48.6	1.65	13.8	1.2	46	130
40A×10A	48.6	1.65	17.3	1.2	46	130
40A×15A	48.6	1.65	21.7	1.65	46	130
40A×20A	48.6	1.65	27.2	1.65	46	130
40A×25A	48.6	1.65	34	1.65	46	130
40A×32A	48.6	1.65	42.7	1.65	46	130
50A×8A	60.5	1.65	13.8	1.2	46	140
50A×10A	60.5	1.65	17.3	1.2	46	140
50A×15A	60.5	1.65	21.7	1.65	46	140
50A×20A	60.5	1.65	27.2	1.65	46	140
50A×25A	60.5	1.65	34	1.65	46	140
50A×32A	60.5	1.65	42.7	1.65	46	140
50A×40A	60.5	1.65	48.6	1.65	46	140
65A×15A	76.3	2.1	21.7	1.65	51	165
65A×20A	76.3	2.1	27.2	1.65	51	165
65A×25A	76.3	2.1	34	1.65	51	165
65A×32A	76.3	2.1	42.7	1.65	51	165
65A×40A	76.3	2.1	48.6	1.65	51	165



45°弯头 45°Elbow



90°弯头 90°Elbow



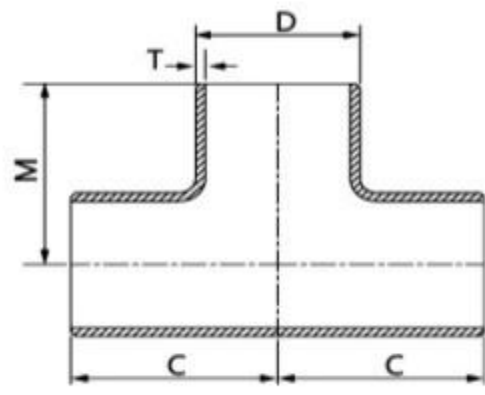
180°弯头 180°Return

对焊弯头 GB12459-90、GB/T13401
Butt-Welding Elbow And Returns

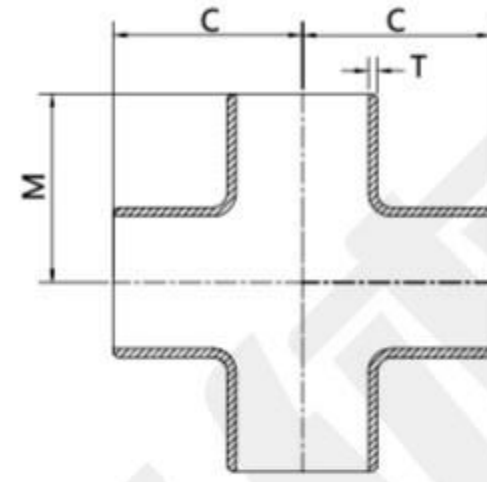
No.FT-A093

公称通径 Nominal pipe size DN	端部外径 Outside diameter at bevel D		中心至端面 Center to end			中心至中心 Center to center		背面至端面 Back to faces	
	A 系列 Series A	B 系列 Series B	45°弯头 Elbow H	90°弯头 Elbow F		180°弯头 Return P		180°弯头 Return K	
			长半径 Long radius	长半径 Long radius	短半径 Short radius	长半径 Long radius	短半径 Short radius	长半径 Long radius	短半径 Short radius
15	21.3	18	16	38	-	76	-	48	-
20	26.9	25	16	38	-	76	-	51	-
25	33.7	32	16	38	25	76	51	56	41
32	42.4	38	20	48	32	95	64	70	52
40	48.3	45	24	57	38	114	76	83	62
50	60.3	57	32	76	51	152	102	106	81
65	76.1(73)	76	40	95	64	191	127	132	100
80	88.9	89	47	114	76	229	152	159	121
90	101.6	-	55	133	89	267	178	184	140
100	114.3	108	63	152	102	305	203	210	159
125	139.7	133	79	190	127	381	254	262	197
150	168.3	159	95	229	152	457	305	313	237
200	219.1	219	126	305	203	610	406	414	313
250	273	273	158	381	254	762	508	518	391
300	323.9	325	189	457	305	914	610	619	467
350	335.6	337	221	533	356	1067	711	711	533
400	406.4	426	253	610	406	1219	813	813	610
450	457.2	478	284	686	457	1372	914	914	686
500	508	529	316	762	508	1524	1016	1016	762
550	559	-	347	838	559	-	-	-	-
600	610	630	379	914	610	-	-	-	-
650	660	-	410	991	660	-	-	-	-
700	711	720	442	1067	711	-	-	-	-
750	762	-	473	1143	762	-	-	-	-
800	813	820	505	1219	813	-	-	-	-
850	864	-	537	1295	864	-	-	-	-
900	914	920	568	1372	914	-	-	-	-
950	965	-	600	1448	965	-	-	-	-
1000	1016	1020	631	1524	1016	-	-	-	-
1050	1067	-	663	1600	1067	-	-	-	-
1100	1118	1120	694	1676	1118	-	-	-	-
1150	1168	-	726	1753	1168	-	-	-	-
1200	1220	1220	758	1829	1219	-	-	-	-

注：(1) 尽可能不采用括号内的数值。
(2) 优先选用 A 系列。



等径三通 Straight Tee



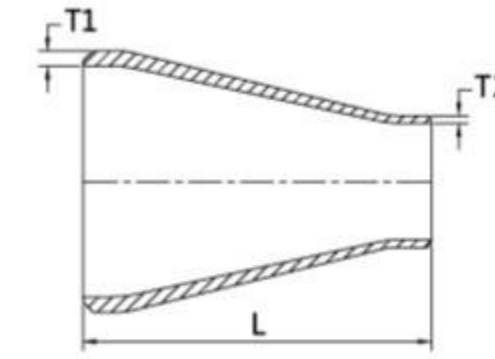
等径四通 Straight Cross

对焊等径、三通、四通 GB12459、GB/T13401
Butt-Welding Straight Tees And Crosses

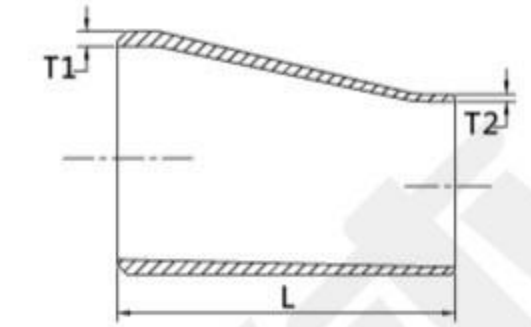
No.FT-A094

公称通径 Nominal pipe size DN	端部外径 Outside diameter at bevel D		中心至端面 Center to end	
	A 系列 Series A	B 系列 Series B	C	M
	15	21.3	18	25
20	26.9	25	29	
25	33.7	32	38	
32	42.4	38	48	
40	48.3	45	57	
50	60.3	57	64	
65	76.1(73)	76	76	
80	88.9	89	86	
90	101.6	-	95	
100	114.3	108	105	
125	139.7	133	124	
150	168.3	159	143	
200	219.1	219	178	
250	273	273	216	
300	323.9	325	254	
350	335.6	337	279	
400	406.4	426	305	

公称通径 Nominal pipe size DN	端部外径 Outside diameter at bevel D		中心至端面 Center to end	
	A 系列 Series A	B 系列 Series B	C	M
	450	457.2	478	343
500	508	529	381	
550	559	-	419	
600	610	630	432	
650	660	-	495	
700	711	720	521	
750	762	-	559	
800	813	820	597	
850	864	-	635	
900	914	920	673	
950	965	-	711	
1000	1016	1020	749	
1050	1067	-	762	711
1100	1118	1120	813	762
1150	1168	-	851	800
1200	1220	1220	889	838



同心异径管 Concentric Reducer



偏心异径管 Eccentric Reducer

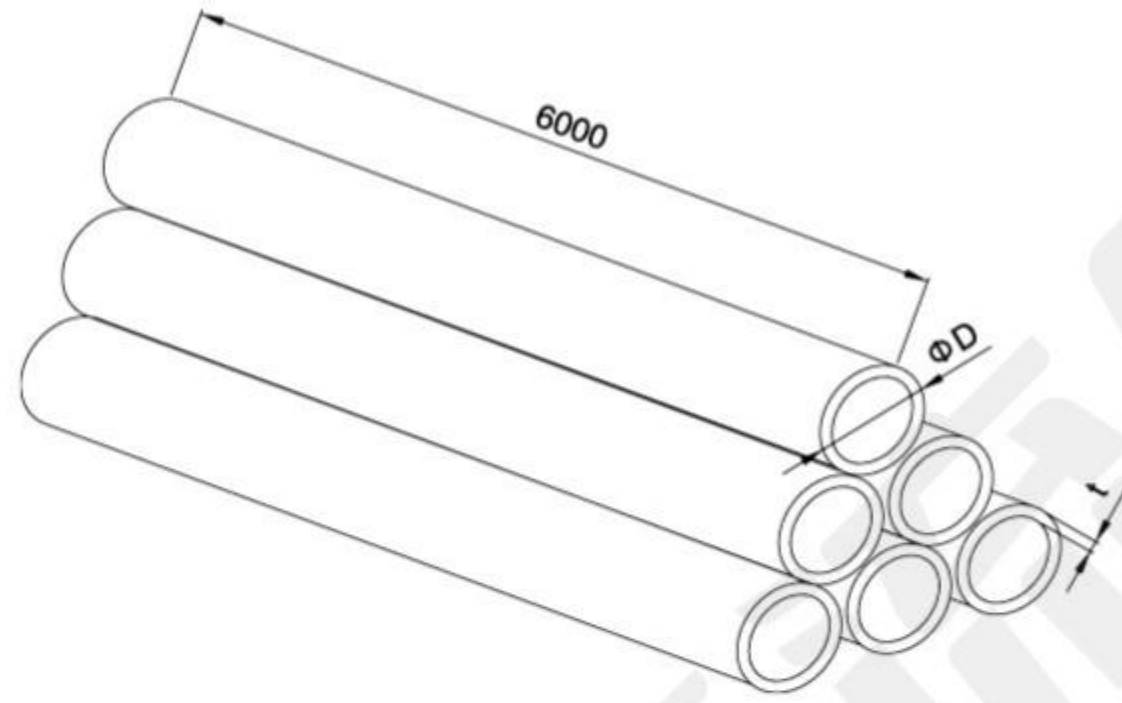
对焊同心、偏心异径管 GB12459、GB/T13401
Butt-Welding Concentric & Eccentric Reducers

No.FT-A095

公称通径 Nominal pipe size DN	端部外径 Outside diameter at bevel		端部外径 Outside diameter at bevel		长度 End to end L
	D1		D2		
	A 系列 Series A	B 系列 Series B	A 系列 Series A	B 系列 Series B	
20x15	26.9	25	21.3	18	38
25x20	33.7	32	26.9	25	51
25x15			21.3	18	
32x25			33.7	32	
32x20	42.4	38	26.9	25	51
32x15			21.3	18	
40x32			42.4	38	
40x25	48.3	45	33.7	32	64
40x20			26.9	25	
40x15			21.3	18	
50x40			48.3	45	
50x32	60.3	57	42.4	38	76
50x25			33.7	32	
50x20			26.9	25	
65x50			60.3	57	
65x40	76.1(73)	76	48.3	45	89
65x32			42.4	38	
65x25			33.7	32	
80x65			76.1(73)	76	
80x50	88.9	89	60.3	57	89
80x40			48.3	45	
80x32			42.4	38	
90x80			88.9	-	
90x65			76.1(73)	-	
90x50	101.6	-	60.3	-	102
90x40			48.3	-	
90x32			42.4	-	
100x90			101.6	-	
100x80		108	88.9	89	
100x65	114.3	108	76.1(73)	76	102
100x50		108	60.3	57	
100x40		108	48.3	45	
125x100		133	114.3	108	
125x90	139.7	-	101.6	-	127
125x80		133	88.9	89	

公称通径 Nominal pipe size DN	端部外径 Outside diameter at bevel		端部外径 Outside diameter at bevel		长度 End to end L
	D1		D2		
	A 系列 Series A	B 系列 Series B	A 系列 Series A	B 系列 Series B	
125x65			76.1(73)	76	127
125x50	139.7	133	60.3	57	
150x125		159	139.7	133	
150x100		159	114.3	108	
150x90	168.3	-	101.6	-	140
150x80		159	88.9	89	
150x65		159	76.1(73)	76	
200x150		219	168.3	159	
200x125		219	139.7	133	
200x100	219.1	219	114.3	108	152
200x90		-	101.6	-	
250x200			219.1	219	
250x150	273	273	168.3	159	178
250x125			139.7	133	
250x100			114.3	108	
300x250			273	273	
300x200	323.9	325	219.1	219	203
300x150			168.3	159	
300x125			139.7	133	
350x300			323.9	325	
350x250	355.6	377	273	273	330
350x200			219.1	219	
350x150			168.3	159	
400x350			355.6	377	
400x300	406.4	426	323.9	325	356
400x250			273	273	
400x200			219.1	219	
450x400			406.4	426	
450x350	457.2	478	355.6	377	381
450x300			323.9	325	
450x250			273	273	
500x450			457.2	478	
500x400	508	529	406.4	426	508
500x350			355.6	377	
500x300			323.9	325	

各种标准钢管系列 Stainless Steel Pipe Series



ISO 2037			SMS			3A			IDF		
Size	D	t	Size	t	t	Size	D	t	Size	D	t
19	19.0	1.5	25	1.25	1.5	1/2"	12.7	1.65	1.0"	25.4	1.5
25	25.4	1.5	32	1.25	1.5	3/4"	19.1	1.65	1 1/4"	32.0	1.5
32	32.0	1.5	38	1.25	1.5	1.0"	25.4	1.65	1 1/2"	38.1	1.5
38	38.1	1.5	51	1.25	1.5	1.5"	38.1	1.65	2.0"	50.8	1.5
45	45.0	2.0	63	1.50	2.0	2.0"	50.8	1.65	2 1/2"	63.5	2.0
48	48.0	1.5	76	1.60	2.0	2.5"	63.5	1.65	3.0"	76.2	2.0
51	50.8	1.5	89	2.0	2.0	3.0"	76.2	1.65	3 1/2"	89.0	2.0
57	57.0	2.0	101.6	2.0	2.0	4.0"	101.6	2.10	4.0"	101.6	2.0
63	63.5	2.0				6.0"	152.4	2.80	4 1/4"	108.0	2.0
76	76.2	2.0				8.0"	203.2	2.80			
80	85.0	2.0				10.0"	254.0	3.40			
89	89.0	2.0				12.0"	305.0	3.40			
102	101.6	2.0									
108	108.0	2.0									
133	133.0	3.0									
159	159.0	3.0									
219	219.0	4.0									

DIN11850/11851				BS4825			ISO1127			JIS G3447			
Size	Dxt	Dxt	Dxt	Dxt	Size	t	t	Size	OD	ID	Size	D	t
DN10	12×1.0	13×1.5	14×1.5	12×1.5	12.7	1.2	1.2	26.9	26.9	23.7	1.0"	25.4	1.2
DN15	18×1.0	19×1.5	20×1.5	18×1.5	15.88	1.2	1.2	33.7	33.7	29.7	1.25"	31.8	1.2
DN20	22×1.0	23×1.5	24×1.5	22×1.5	19.05	1.2	1.2	42.4	42.4	38.4	1.5"	38.1	1.2
DN25	28×1.0	29×1.5	30×1.5	28×1.5	25.4	1.2	1.6	48.3	48.3	44.3	2.0"	50.8	1.5
DN32	34×1.0	35×1.5	36×1.5	34×1.5	38.1	1.2	1.6	60.3	60.3	56.3	2.5"	63.5	2.0
DN40	40×1.0	41×1.5	42×2.0	40×1.5	50.8	1.2	1.6	76.2	76.2	72.2	3.0"	76.2	2.0
DN50	52×1.0	53×1.5	54×2.0	52×1.5	63.5	1.6	1.6	88.9	88.9	84.9	3.5"	88.9	2.0
DN65	70×2.0	70×2.0	70×2.0	70×2.0	76.2	1.6	1.6	114.3	114.3	110.0	4.0"	101.6	2.0
DN80	85×2.0	85×2.0	85×2.0	85×2.0	101.6	2.0	2.0	139.7	139.7	135.7	4.5"	114.3	3.0
DN100	104×2.0	104×2.0	104×2.0	104×2.0	114.3	2.0	2.0	168.3	168.3	161.5	5.5"	139.7	3.0
DN125	129×2.0	129×2.0	129×2.0	129×2.0	139.7	2.0	2.0	219.1	219.1	213.9	6.5"	165.1	3.0
DN150	154×2.0	154×2.0	154×2.0	154×2.0	168.3	2.6	2.6						
	Series 1	Series 2	Series 3	Recommended series	219.1	2.6	2.6						

各国不锈钢牌号 Stainless Steel Standards of Different Countries

中国	欧盟	美国	美国	英国	德国	日本
GB (China)	EN (Europa)	AISI (U.S.A)	ASTM (U.S.A)	BSI (U.K)	DIN (Germany)	JIS (Japan)
0Cr18Ni9 (06Cr19Ni10)	X5CrNi18-10	304	TP304	304 S 15 304 S 16	1.4301	SUS304
00Cr19Ni10 (022Cr19Ni10)	X2 CrNi9-11	304L	TP304L	304 S 11	1.4306	SUS304L
0Cr17Ni12Mo2 (06Cr17Ni12Mo2)	X5CrNiMo17-2-2	316	TP316	316 S 31	1.4401	SUS316
00Cr17Ni14Mo2 (022Cr17Ni12Mo2)	X2CrNiMo17-2-2	316L	TP316L	316 S 11	1.4404	SUS316L

化学成分与力学性能 Chemical Composition and Mechanics Property

中国 (GB)	钢种	碳	硅	锰	磷	硫	铬	钼	镍	力学性能			
		≤ C	≤ Si	≤ Mn	≤ P	≤ S	Cr	Mo	Ni	屈服强度 σ ₂ (Mpa)≥	抗拉强度 ob(Mpa)≥	延伸率 85 %	硬度 HB≤
	304	0.07	1.0	2.0	0.035	0.030	18.0-20.0	/	8.0-11	205	520	40	187
	304L	0.03	1.0	2.0	0.035	0.030	18.0-20.0	/	8.0-12	177	480	40	187
	316	0.08	1.0	2.0	0.035	0.030	16.0-18.5	2.0-3.0	10-14	205	520	40	187
	316L	0.03	1.0	2.0	0.035	0.030	16.0-18.0	2.0-3.0	12-15	177	480	40	187

美国 (ASTM)	钢种	碳	硅	锰	磷	硫	铬	钼	镍	力学性能			
		≤ C	≤ Si	≤ Mn	≤ P	≤ S	Cr	Mo	Ni	屈服强度 σ ₂ (Mpa)≥	抗拉强度 ob(Mpa)≥	延伸率 85 %	硬度 HB≤
	TP304	0.08	0.75	2.0	0.040	0.030	18.0-20.0	/	8.0-11	205	515	35	187
	TP304L	0.035	0.75	2.0	0.040	0.030	18.0-20.0	/	8.0-13	170	485	35	187
	TP316	0.08	0.75	2.0	0.040	0.030	16.0-18.0	2.0-2.5	10-14	205	515	35	187
	TP316L	0.035	0.75	2.0	0.040	0.030	16.0-18.0	2.0-2.5	12-15	170	485	35	187

日本 (JIS)	钢种	碳	硅	锰	磷	硫	铬	钼	镍	力学性能			
		≤ C	≤ Si	≤ Mn	≤ P	≤ S	Cr	Mo	Ni	屈服强度 σ ₂ (Mpa)≥	抗拉强度 ob(Mpa)≥	延伸率 85 %	硬度 HB≤
	304	0.08	1.0	2.0	0.040	0.030	18.0-20.0	/	8.0-11	206	520	35	187
	304L	0.03	1.0	2.0	0.040	0.030	18.0-20.0	/	9.0-13	177	481	35	187
	316	0.08	1.0	2.0	0.040	0.030	16.0-18.0	2.0-3.0	10-14	206	520	35	187
	316L	0.03	1.0	2.0	0.040	0.030	16.0-18.0	2.0-3.0	12-16	177	481	35	187

美国 (AISI) 英国 (BSI) 德国 (DIN) 欧盟 (EN)	钢种	碳	硅	锰	磷	硫	铬	钼	镍	力学性能			
		≤ C	≤ Si	≤ Mn	≤ P	≤ S	Cr	Mo	Ni	屈服强度 σ ₂ (Mpa)≥	抗拉强度 ob(Mpa)≥	延伸率 85 %	硬度 HB≤
	304	0.07	1.0	2.0	0.045	0.015	17.0-18.0	/	8.0-10	205	520	40	187
	304L	0.03	1.0	2.0	0.045	0.015	17.0-18.0	/	8.0-10	180	480	40	187
	316	0.08	1.0	2.0	0.045	0.015	16.5-18.0	2.0-2.5	10-13	205	520	40	187
	316L	0.03	1.0	2.0	0.045	0.015	16.5-18.0	2.0-2.5	10-13	180	480	40	187