

人孔
MANHOLE



弘特流体
HONGTEFLUID

流体阀门管件集成智造商

INTEGRATED INTELLIGENT MANUFACTURER
OF FLUID VALVES AND FITTINGS



应用
Applications

该压力型人孔主要应用在食品，酿酒，饮料，制药等工业领域压力容器上。
The pressure type man hole is mainly used for pressure vessel in the fields of food, beverage, chemical, etc.

设计和特点
Design and features

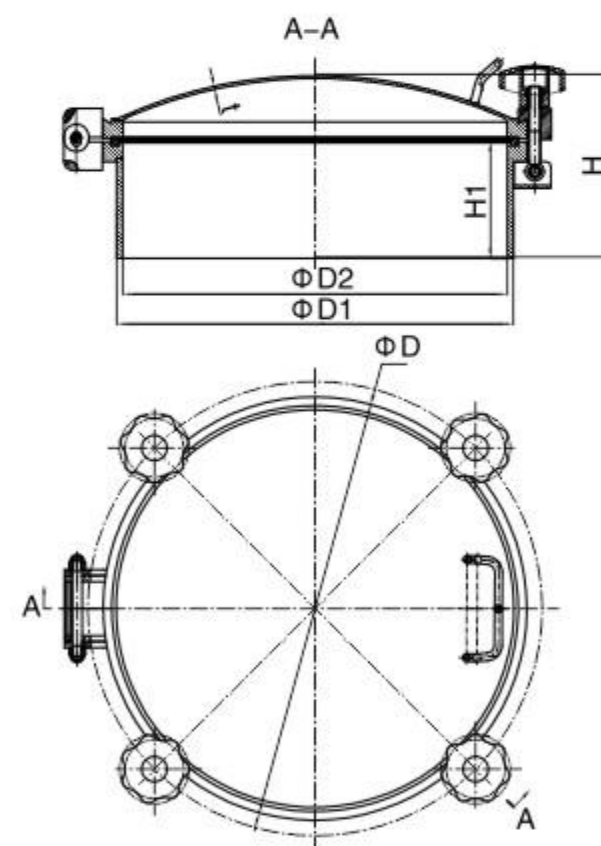
- 外开式人孔盖子
 - 塑料手轮或不锈钢手轮
 - 带法兰式窥视镜
 - 由任式窥视镜
 - 内表面: Ra≤0.8 μm-0.5 μm
 - 外表面: 抛光处理、亚光处理、喷砂处理
 - 最大压力: 5.0bar
 - 垫圈: EPDM、NBR、SILICON、FPM 符合 FDA177.1600
 - 高度 100, 120, 150mm
 - 材质: AISI304(1.4301)/316L(1.4404)
- Outward opening man hole cover
 - Plastic hand wheel or stainless steel hand wheel
 - Sight glass with flange
 - Union type sight glass
 - Internal surface: Ra≤0.8 μm-0.5 μm
 - Outside surface: polishing finished, sub-light finished, sand-blasting finished.
 - Max. pressure: 5.0bar
 - Gasket:EPDM,NBR,SILICONE,FPM in accordance with FDA177.1600
 - Height: 100,120,150mm
 - Material:AISI304(1.4301)/316 L (1.4404)



ST-V1107

规格	H1	D1	D2
Φ200	100	200	194
Φ220	100	220	214
Φ300	100	300	294
Φ350	100	350	344
Φ400	100	400	394
Φ430	100	430	424
Φ450	100	450	444
Φ500	100	500	494
Φ600	100	600	594

高度 (H1) 可制作成120MM,150MM等; 壁厚可以制作4MM或其它的壁厚; 手轮数量也可根据客户要求改变。
Height(H1) can be changed to 120mm, 150mm, etc. The thickness can be changed to 4mm or other sizes. The amount of handles can be changed according to request of customers



应用
Applications

该人孔主要应用在食品，酿酒，饮料，制药等工业领域罐设备上。
The Man Hole Is Mainly Used For Tanks In The Fields Of Food, Beverage, Chemical, Etc.

设计和特点
Design and features

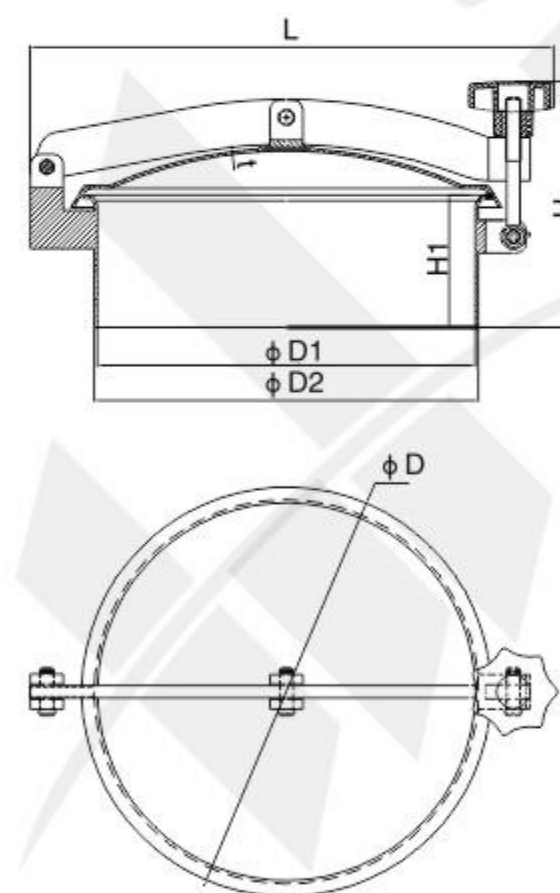
- 外开式人孔盖子
 - 塑料手轮或不锈钢手轮
 - 内表面: Ra0.8 μm-0.5 μm
 - 外表面: 抛光处理、亚光处理、喷砂
 - 处理最大压力: 1.0bar
 - 垫圈: EPDM、NBR、SILICON、FPM 符合FDA177.2600
 - 高度: 100、120、150mm
 - 材质: AISI304(1.4301)/316L(1.4404)
- Outward opening man hole cover
 - Plastic hand wheel or stainless steel hand wheel
 - Internal surface: Ra0.8 μm-0.5 μm
 - Outside surface: polishing finished, sub-light finished, sand-blasting finished.
 - Max. pressure: 5.0bar
 - Gasket: EPDM,NBR,SILICON,FPM in accordance with FDA177.2600
 - Height: 100,120,150mm
 - Material:AISI304(1.4301)/316L(1.4404)



ST-V1108

规格	H1	D1	D2
Φ200	100	200	194
Φ220	100	220	214
Φ300	100	300	294
Φ350	100	350	344
Φ400	100	400	394
Φ430	100	430	424
Φ450	100	450	444
Φ500	100	500	494
Φ600	100	600	594

高度 (H1) 可制作成120MM,150MM等; 壁厚可根据客户要求改变;
Height(H1) can be changed to 120mm, 150mm, etc. The thickness can be customized according to request of customers

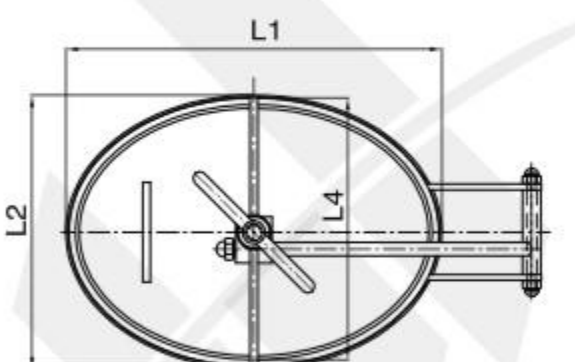
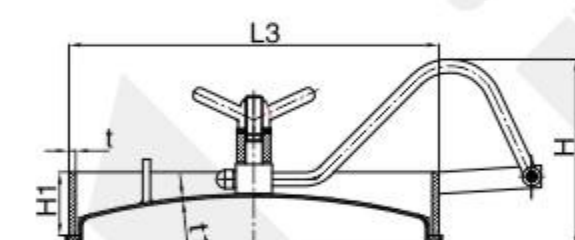


应用 Applications

该人孔主要应用在食品, 酿酒, 饮料, 制药等工业领域罐设备上。
The Man Hole Is Mainly Used For Tanks In The Fields Of Food, Beverage, Chemical, Etc.

设计和特点 Design and features

- 内开式人孔盖子
 - 扳手式手柄, 手轮式手柄
 - 内表面: $Ra \leq 0.8 \mu m - 0.5 \mu m$
 - 外表面: 抛光处理、亚光处理、喷砂处理
 - 最大压力: 3.0bar
 - 垫圈: EPDM、NBR、SILICON、FPM 符合FDA177.2600
 - 度: 75, 100, 120, 150mm
 - 材质: AISI304(1.4301)/316L(1.4404)
- inward opening man hole cover
 - Spanner type handle, hand wheel handle
 - Internal surface: $Ra \leq 0.8 \mu m - 0.5 \mu m$
 - Outside surface: polishing finished, sub-light finished, sand-blasting finished.
 - Max. pressure: 3.0bar
 - Gasket: EPDM、NBR、SILICON、FPM in accordance with FDA177.2600
 - Height: 75, 100, 120, 150mm
 - Material: AISI304(1.4301)/316L(1.4404)



ST-V1109

规格	H1	L3	L4	T
435*335	75	435	335	8.0
530*430	100	530	430	10.0
635*525	160	635	344	10.0

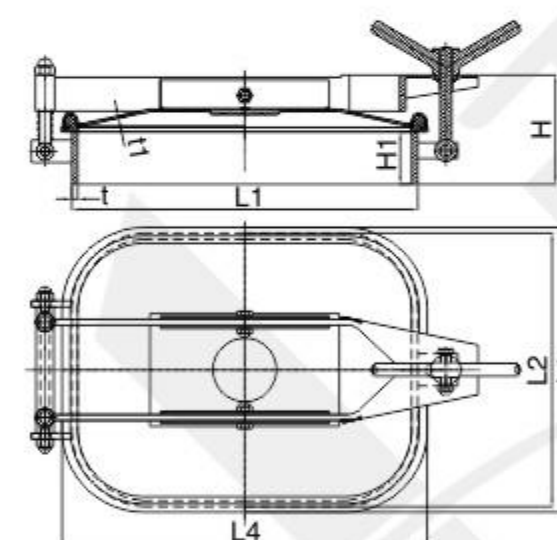
高度 (H1) 可根据客户要求; 壁厚可根据客户要求;
Height(H1) and the thickness can be changed according to request of customers.

应用 Applications

该人孔主要应用在食品, 酿酒, 饮料, 制药等工业领域罐设备上。
The Man Hole Is Mainly Used For Tanks In The Fields Of Food, Beverage, Chemical, Etc.

设计和特点 Design and features

- 外开式人孔盖子
 - 扳手式手柄, 手轮式手柄
 - 内表面: $Ra \leq 0.8 \mu m - 0.5 \mu m$
 - 外表面: 抛光处理、亚光处理、喷砂处理
 - 最大压力: 1.0bar
 - 垫圈: EPDM、NBR、SILICON、FPM 符合FDA177.2600
 - 高度: 65, 80, 100, 120, 150mm
 - 材质: AISI304(1.4301)/316L(1.4404)
- Outward opening man hole cover
 - Spanner type handle, hand wheel handle
 - Internal surface: $Ra \leq 0.8 \mu m - 0.5 \mu m$
 - Outside surface: polishing finished, sub-light finished, sand-blasting finished.
 - Max. pressure: 1.0bar
 - Gasket: EPDM,NBR,SILICON,FPM in accordance with FDA177.1600
 - Height: 65,80,100,120,150mm
 - Material: AISI304(1.4301)/316L(1.4404)



ST-V1110

规格	H1	L1	L2	T
235*185	65.0	235	185	8.0
425*335	65.0	425	335	8.0
535*435	65.0	535	435	8.0

高度 (H1) 可根据客户要求; 壁厚可根据客户要求;
Height(H1) and the thickness can be changed according to request of customers.



尺寸: 235*185