

# 卫生级蝶阀

SANITARY BUTTERFLY VALVE



**弘特流体**  
HONGTEFLUID

**流体阀门管件集成智造商**

INTEGRATED INTELLIGENT MANUFACTURER  
OF FLUID VALVES AND FITTINGS





电动蝶阀  
Electric butterfly valve

### 应用 Applications

- 蝶阀，无论手动或者自动操作，都可以用到食品加工，制药和化工等工业的流体产品应用中。
- Butterfly valves, no matter manually or automatically, can be used in most fluid product applications in the food-processing, pharmaceutical and chemical industries.

### 工作原理 Operating Principles

- 蝶阀可以通过执行器自动操作也可由手柄手动操作。
- 手柄控制阀门“开”和“关闭”的位置，当然也可以调节到其他间的位置。
- 执行器把活塞的轴向运动转换成90度旋转运动，传输给蝶阀。
- The butterfly valves can be operated automatically through actuator or manually with the handle.
- The handle blocks the valve in the "open" or "closed" position, certainly there are the other position available.
- The actuator push piston of axial movement into 90 degree so that it controls butterfly valve.

### 技术规格 Technical specifications

- 最大压力: 10bar(DN-25/100)  
8bar(DN-125/150)
- 最小压力: 0.2bar p.abs
- 工作温度: -10°C到 +120°C (EPDM)
- Max.pressure: 10 bar (DN-25/100)  
8 bar (DN-125/150)
- Min.pressure: 0.2 bar p.abs
- Operating temperature: -10°C to +120°C (EPDM)



不锈钢气动蝶阀(立式)  
Stainless Steel Pneumatic Valve (Vertical)



### 设计和特点 Design and features

- 简洁有活力的设计
- 尺寸DN25/1" 到DN150/6"
- 多定位手柄尺寸到DN100/4"
- 拉杆手柄尺寸到DN125/150/6"
- 手动手柄和气动或电动执行器可互换
- 低压消耗
- 任何连接方式的阀体都可以进行更换

- Compact and robust design
- Available in sizes D N25/1" to D N 150/6"
- The size of multi-position handle up to DN100/4"
- The size of pull handle up to DN125/150/6"
- Manual handle, pneumatic actuator and electric actuator can be exchangeable with each other
- Low pressure losses
- The valve body can be changeable with any kind of connection

### 材质 Materials

- 蝶板: AISI 316L/304 (锻造)
- 阀体: AISI 316L/304 (锻造)
- 垫圈和密封圈: EPDM 根据 FDA 177.2600
- 手柄: AISI 304/PP
- 表面处理: Ra=0.8
- Butterfly plate: AISI316L/304(forged)
- Valve body: AISI316L/304(forged)
- Washer and gasket: EPDM which conforms to FDA 177.2600
- Handle: AISI304/PP
- Surface finishing: Ra=0.8

### 选项 Options

- 垫圈材质有NBR,VMQ (硅胶) 或FPM (氟橡胶), 它们都符合FDA 177.2600
- 连接: 焊接, 卡箍, 螺纹, 单焊接单螺纹, 法兰式, DIN, SMS,RJT,ISO,IDF,3A
- 手柄: 二定位, 三定位, 四定位拉杆手柄, 多位塑料手柄, 多位不锈钢手柄
- 执行器: 不锈钢气动执行器, 铝制气动执行器, 电动执行器
- 控制: 位置传感器。
- The material of gasket contains NBR, VMQ or FPM, which all confirm to standard of FDA 177.2600
- Connection: weld, clamp, thread, single weld singlethread, flange
- Handle: two-position handle, three-position handle, four-position pull rod handle, multi-position plastic handle and multi-position stainless steel handle,DIN,SMS,RJT,ISO, IDF,3A
- Actuator: pneumatic stainless steel actuator, pneumatic aluminum actuator, electric actuator
- Control: position sensor.

铝制气动蝶阀(卧式)  
Pneumatic butterfly Valve



信号开关盒  
Signal switch bow

气动执行器  
Pneumatic Actuator

电磁阀  
Solenoid Valve

阀门  
Valve



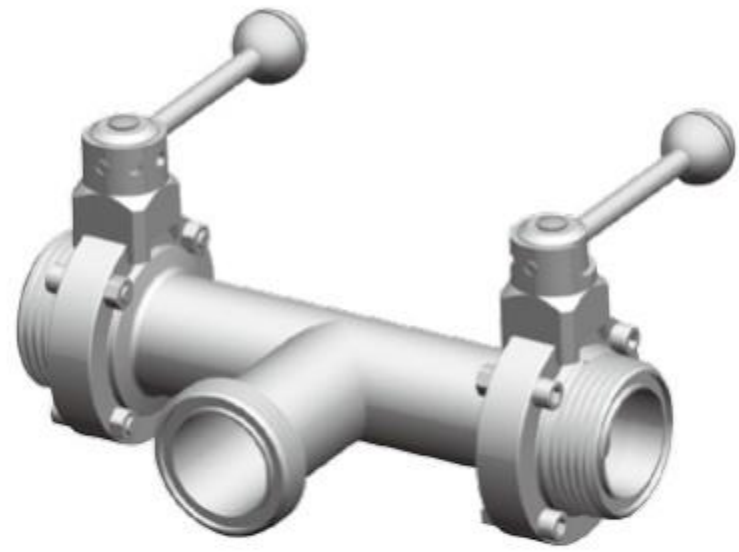
### 操作扭矩

Operating torque (N.m.)

操作扭矩[N.M] OPERATING TORQUE [N.M]	25-1"	40-1 1/2"	50-2	2 1/2"	65	3"	80	100-4"	125	150
	8	10	14	15	18	18	20	35	55	70

在压力10Kgr/cm<sup>2</sup>下检测 Detect under pressure of 10Kgr/cm<sup>2</sup>

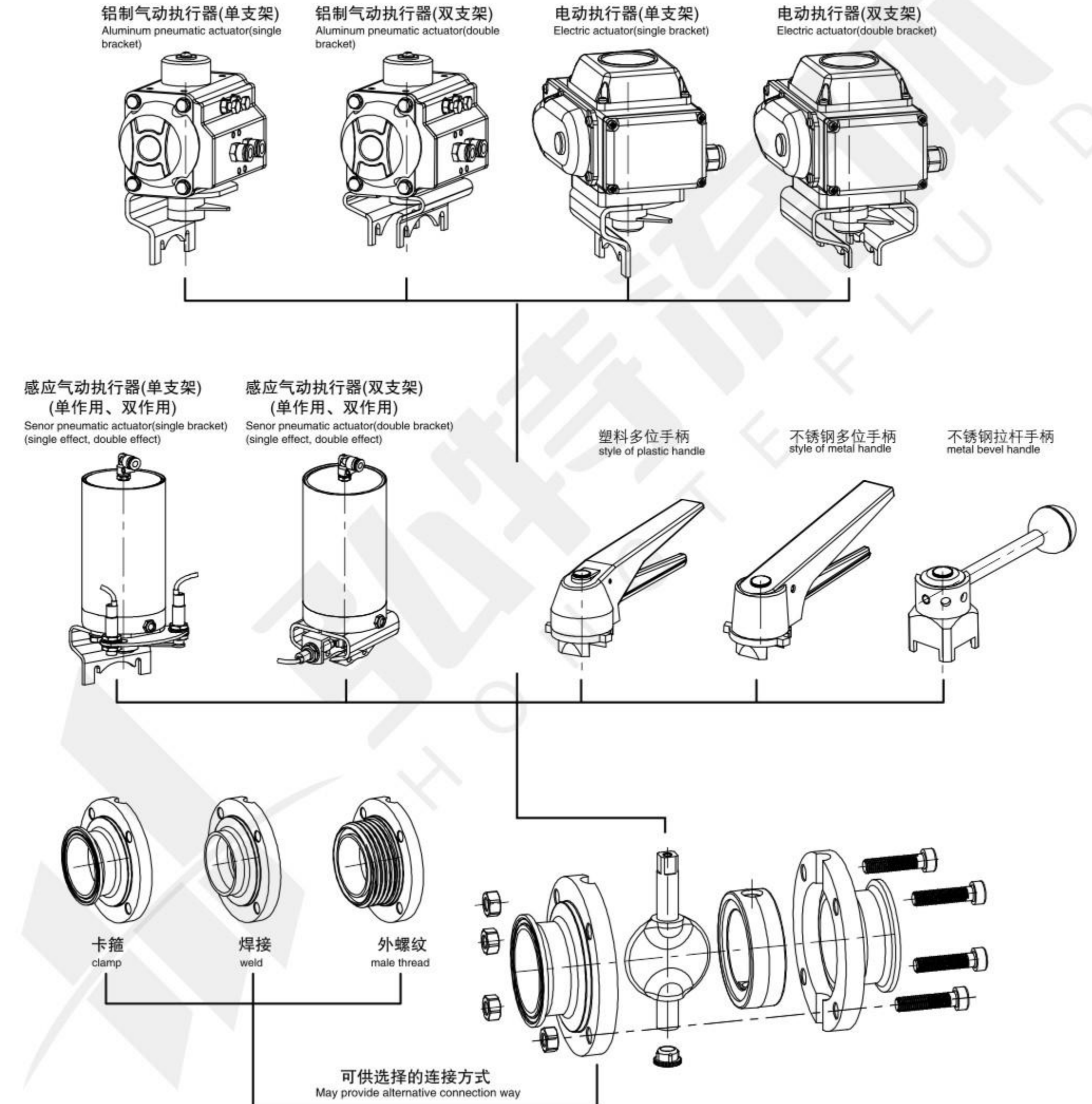
三通蝶阀技术参数  
Technical Parameter



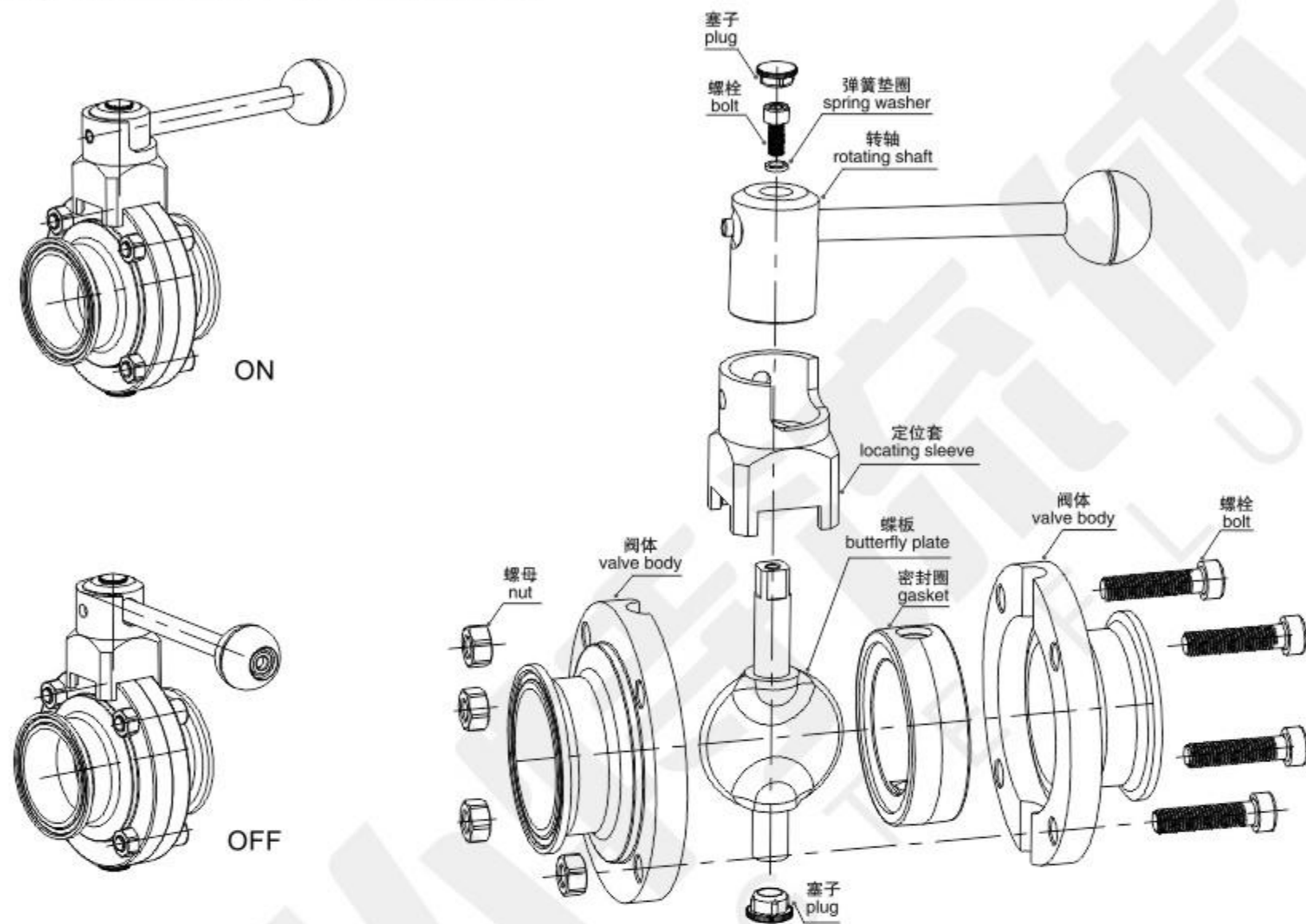
- 阀门结构: 三头阀门控制, 二头阀门控制, 一头阀门控制
  - 垫圈材质有NBR, VMQ (硅胶) 或 FPM (氟橡胶), 它们都符合FDA 177.2600
  - 连接: 焊接, 卡箍, 螺纹, 单焊接单螺纹, 法兰式, DIN, SMS, RJT, ISO, IDF, 3A
  - 手柄: 二定位, 三定位, 四定位拉杆手柄, 多位塑料手柄, 多位不锈钢手柄
  - 执行器: 不锈钢气动执行器, 铝制气动执行器, 电动执行器
  - 控制: 位置传感器。
- The structure of valves: three-side control valve, two-side control valve, single-side control valve
  - The material of gasket contains NBR, VMQ or FPM, which all confirm to standard of FDA 177.2600
  - Connection: weld, clamp, thread, single weld singlethread, flange
  - Handle: two-position handle, three-position handle, four-position pull rod handle, multi-position plastic handle and multi-position stainless steel handle, DIN, SMS, RJT, ISO, IDF, 3A
  - Actuator: pneumatic stainless steel actuator, pneumatic aluminum actuator, electric actuator
  - Control: position sensor.



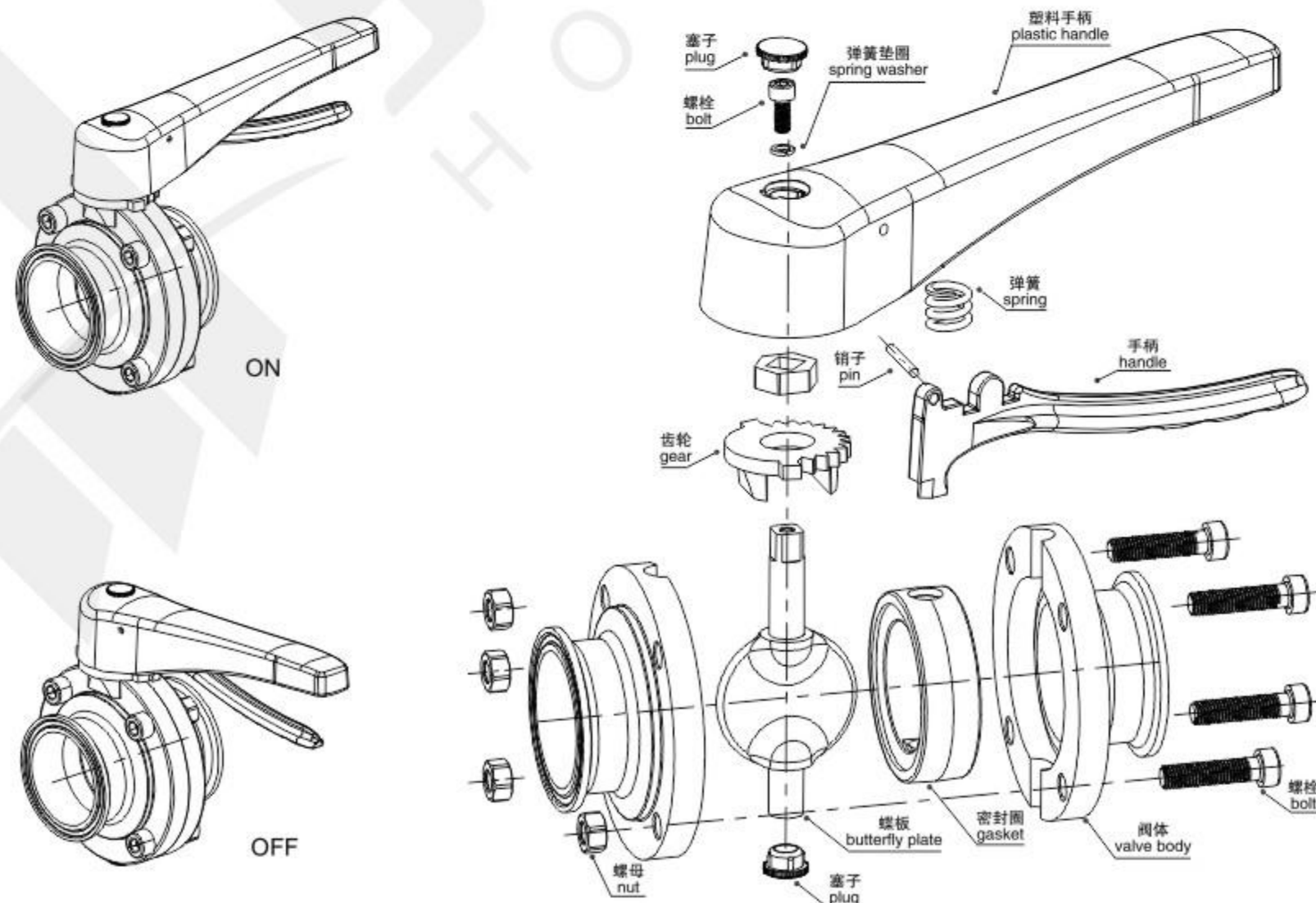
不同的驱动方式和手柄款式  
Different Ways of Drive And Styles Of Handle



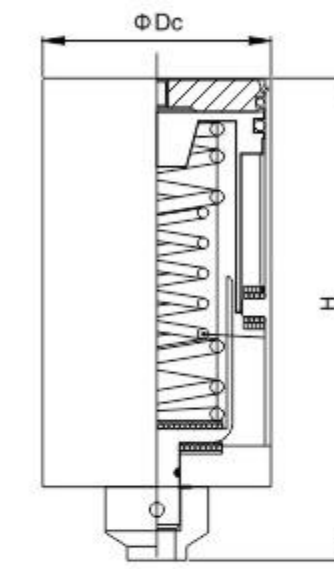
拉杆手柄蝶阀  
Butterfly Valve With Pull Rod Handle



多位手柄蝶阀  
Butterfly Valve With Multi-Position Handle



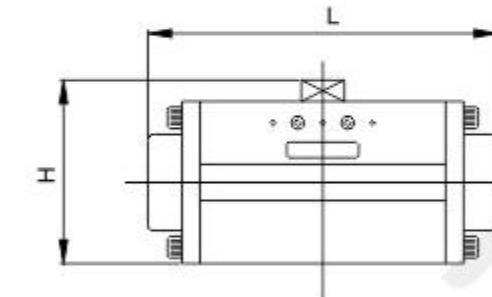
不锈钢气动执行器  
Stainless Steel Pneumatic Actuator



ST-V01

Size	Dc	H	可配蝶阀 match with butterfly valve		可配球阀 match with ball valve	
			1"-4"	DN20-DN100	DN20-DN50	1"-2"
Φ85	85.0	180.5	1"-4"	DN20-DN100	DN20-DN50	1"-2"
Φ108	108	223	5"-6"	DN125-DN150	DN65-DN80	2.5"-3"
Φ133	133	400	8"	DN200	DN100	4"

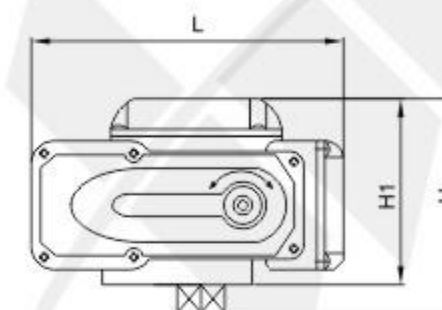
铝制气动执行器  
Aluminium Pneumatic Actuator



ST-V02

Size	H	L	可配蝶阀 match with butterfly valve		可配球阀 match with ball valve	
			19"-45"	DN20-DN40	DN15-DN25	1/2"-1"
AT1	91.0	131.0	19"-45"	DN20-DN40	DN15-DN25	1/2"-1"
AT2	112.0	185.0	2"-4"	DN50-DN100	DN32-DN50	1 1/4"-2"
AT3	128.0	230.0	5"	DN125	DN65-DN80	2 1/2"-3"
AT4	154.0	290.0	6"-8"	DN150-DN200	DN100	3 1/2"-4"

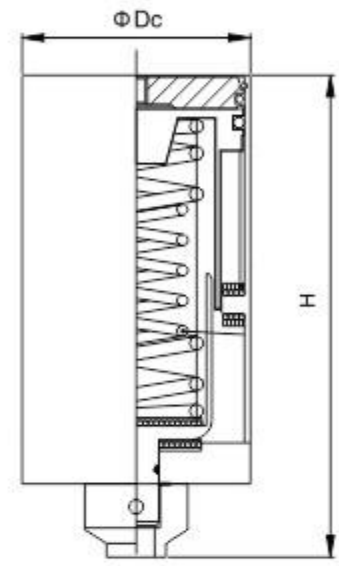
电动执行器  
Electric Actuator



ST-V03

Size	L	H	H1	可配蝶阀 match with butterfly valve		可配球阀 match with ball valve	
				1"-4"	DN20-DN100	DN20-DN50	1"-2"
HL-05	157.5	115.0	103.0	1"-4"	DN20-DN100	DN20-DN50	1"-2"
HL-10	208.0	124.0	115.0	5"-8"	DN125-DN200	DN65-DN80	2.5"-3"
HL-20	280.0	135.0	109.0			DN100	4"

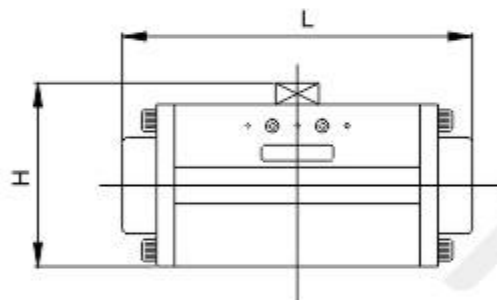
不锈钢气动执行器  
Stainless Steel Pneumatic Actuator



ST-V01

Size	Dc	H	可配蝶阀 match with butterfly valve		可配球阀 match with ball valve	
Φ85	85.0	180.5	DN20-DN100	1"-4"	DN20-DN50	1"-2"
Φ108	108	223	DN125-DN150	5"-6"	DN65-DN80	2.5"-3"
Φ133	133	400	DN200	8"	DN100	4"

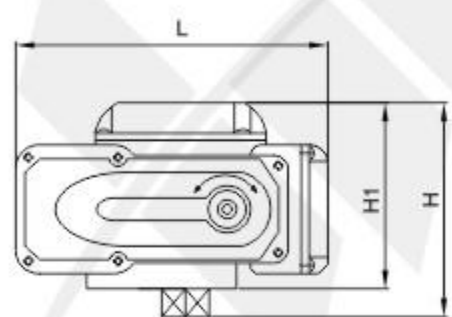
铝制气动执行器  
Aluminium Pneumatic Actuator



ST-V02

Size	H	L	可配蝶阀 match with butterfly valve		可配球阀 match with ball valve	
AT1	91.0	131.0	DN20-DN40	1/2"-45"	DN15-DN25	1/2"-1"
AT2	112.0	185.0	DN50-DN100	2"-4"	DN32-DN50	1 1/4"-2"
AT3	128.0	230.0	DN125	5"	DN65-DN80	2 1/2"-3"
AT4	154.0	290.0	DN150-DN200	6"-8"	DN100	3 1/2"-4"

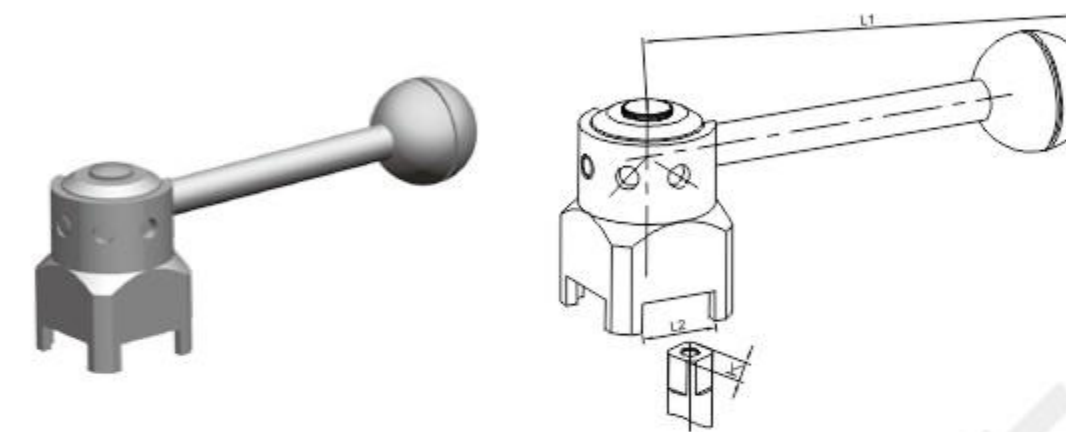
电动执行器  
Electric Actuator



ST-V03

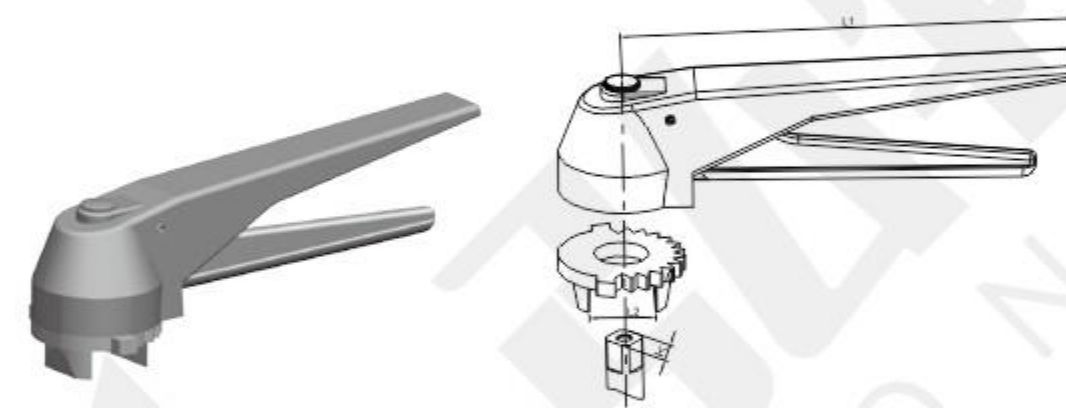
Size	L	H	H1	可配蝶阀 match with butterfly valve		可配球阀 match with ball valve	
HL-05	157.5	115.0	103.0	DN20-DN100	1"-4"	DN20-DN50	1"-2"
HL-10	208.0	124.0	115.0	DN125-DN200	5"-8"	DN65-DN80	2.5"-3"
HL-20	280.0	135.0	109.0			DN100	4"

系列蝶阀手柄适用于所有类型蝶阀  
Butterfly Valve Handles Are Suitable For All Kinds Of Butterfly Valves



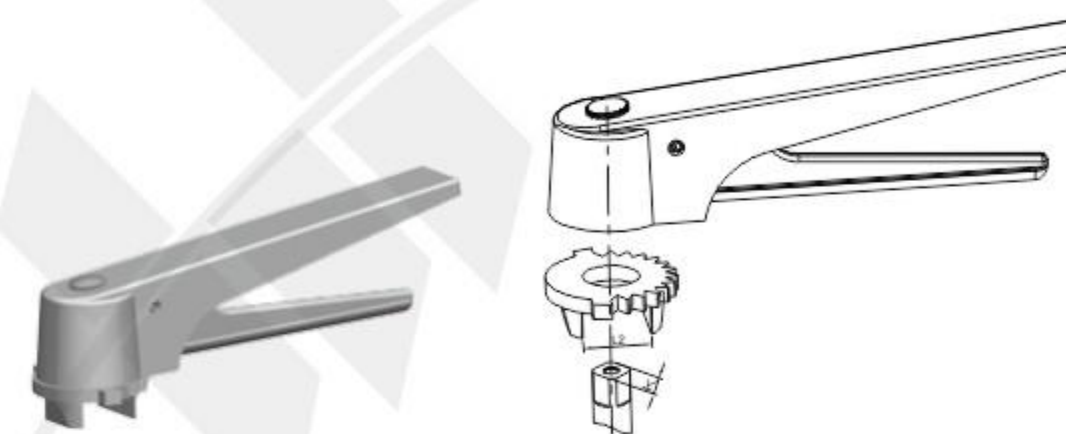
ST-V04 拉杆手柄  
Pulling Handle

Size	L1	L2	K×K
DN10-DN40	0.5"-1.5"	126	20.2 8X8
DN50	2"	133	20.2 10X10
DN65	2.5"-3"	144	22.2 10X10
DN80-DN100	3.5"-4"	160	22.2 11X11
DN125-DN150	5"-6"	220	22.2 11X11
DN200	8"	284	30.2 14X14



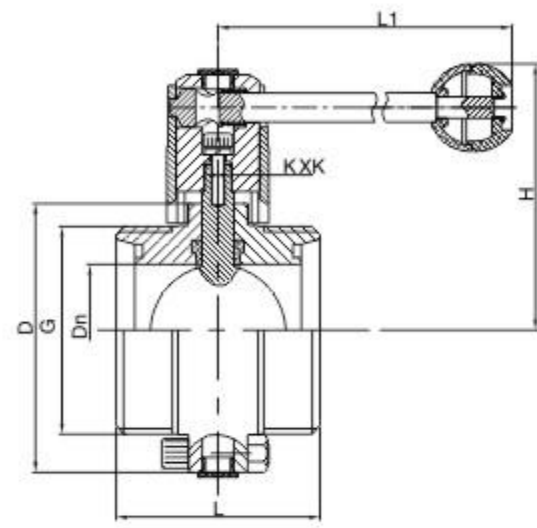
ST-V05 塑料多位手柄  
Plastic Multi-Position Handle

Size	L1	L2	K×K
DN10-DN40	0.5"-1.5"	150	20.2 8X8
DN50-DN65	2"-3"	150	20.2 10X10
DN80-DN100	3.5"-4"	150	22.2 11X11



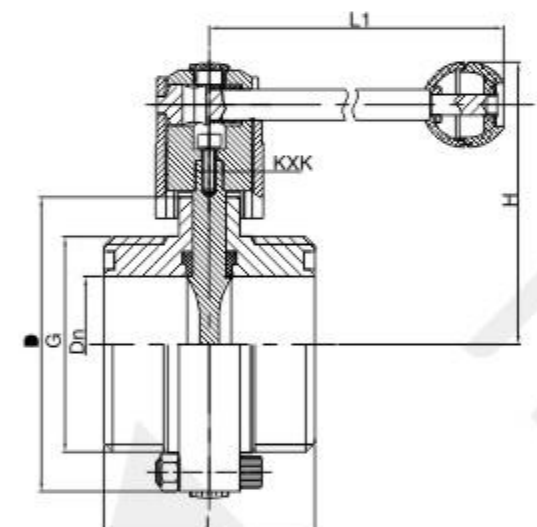
ST-V06 不锈钢多位手柄  
Stainless Steel Multi-Position Handle

Size	L1	L2	K×K
DN15-DN40	0.5"-1.5"	155	20.2 8X8
DN50-DN65	2"-3"	155	20.2 10X10
DN80-DN150	3.5"-6"	155	22.2 11X11
DN200	8"	230	30.2 14X14



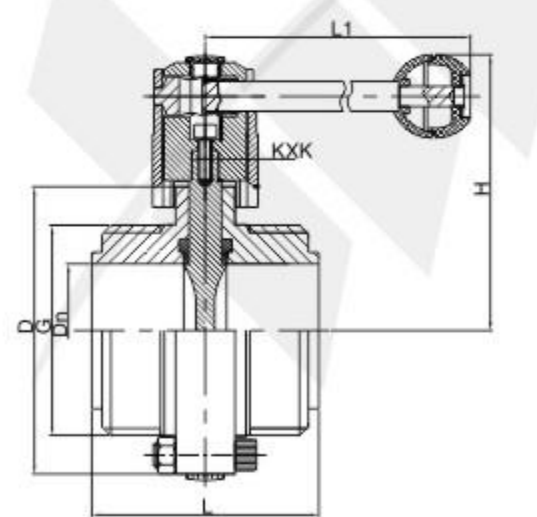
ST-V1001 螺纹蝶阀(DIN)  
Threaded Butterfly Valve(DIN)

Size	DN	D	L	L1	H	G	KXX
DN10	10	78	66	126	86	RD28x1/8	8x8
DN15	15	78	66	126	86	RD34x1/8	8x8
DN20	19	78	66	126	86	RD44x1/6	8x8
DN25	25	78	66	126	86	RD52x1/6	8x8
DN32	31	86	70	126	90	RD58x1/6	8x8
DN40	37	90	74	126	92	RD65x1/6	8x8
DN50	49	106	76	133	104	RD78x1/6	10x10
DN65	66	124	80	144	113	RD95x1/6	10x10
DN80	81	139	84	160	123.5	RD110x1/4	11x11
DN100	100	159	104	160	133.5	RD130x1/4	11x11
DN125	125	185	130	220	146.5	RD160x1/4	11x11
DN150	150	215	150	220	161.5	RD190x1/4	11x11



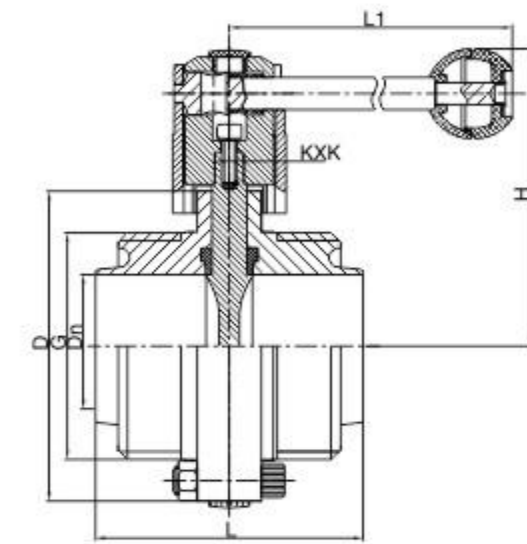
ST-V1002 螺纹蝶阀(SMS)  
Threaded Butterfly Valve(SMS)

Size	DN	D	L	L1	H	G	KXX
Φ19	16	78	66	126	86	RD36x1/8	8x8
Φ25	22.4	78	66	126	86	RD40x1/6	8x8
Φ32	28.8	78	66	126	86	RD48x1/6	8x8
Φ38	35.1	86	70	126	90	RD60x1/6	8x8
Φ51	47.8	102	76	133	102	RD70x1/6	10x10
Φ63	59.5	115	80	144	109	RD85x1/6	10x10
Φ76	72.2	128	84	144	115	RD98x1/6	10x10
Φ89	85	139	86	160	123.5	RD110x1/6	11x11
Φ102 小	97.6	154	104	160	131	RD125x1/6	11x11
Φ102 大	97.6	159	104	160	133.5	RD132x1/6	11x11



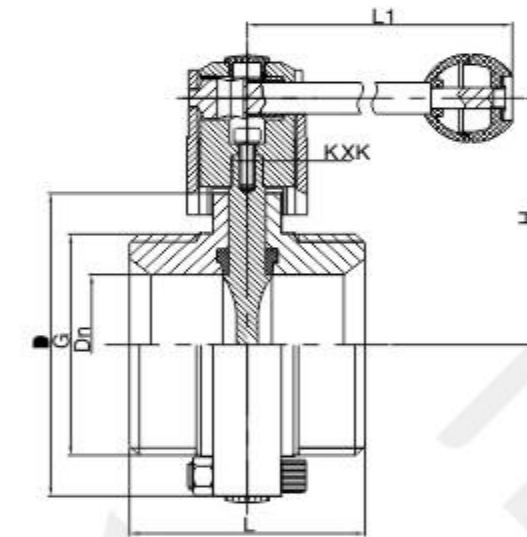
ST-V1003 螺纹蝶阀(ISO/IDF)  
Threaded Butterfly Valve(ISO/IDF)

Size	DN	D	L	L1	H	G	KXX
1"	22.4	78	72	126	86	37.1x1/8Acme	8x8
1 1/2"	35.1	86	76	126	90	50.6x1/8Acme	8x8
2"	47.8	102	82	133	102	64.1x1/8Acme	10x10
2 1/2"	59.5	115	86	144	109	77.6x1/8Acme	10x10
3"	72.2	128	90	144	115	91.1x1/8Acme	10x10
4"(ISO)	97.6	154	110	160	131	118.2x1/8Acme	11x11
4"(IDF)	97.6	154	110	160	131	125.9x1/6Acme	11x11



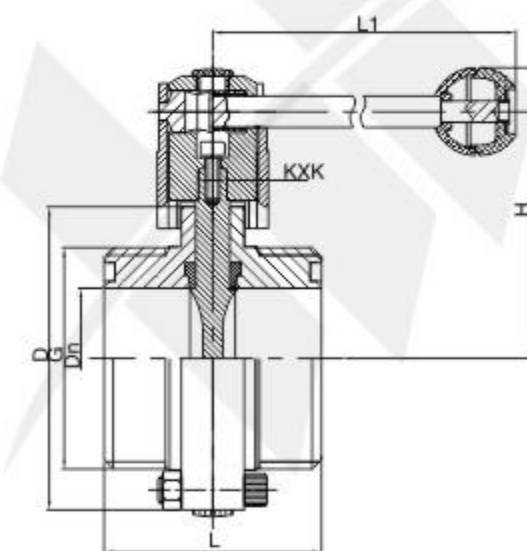
ST-V1004 螺纹蝶阀(RJT)  
Threaded Butterfly Valve(RJT)

Size	DN	D	L	L1	H	G	KXX
1"	22.2	78	80	126	86	45.7x1/8TWHIT	8x8
1 1/2"	34.9	86	80	126	90	58.4x1/8TWHIT	8x8
2"	47.6	102	84	133	102	72.7x1/6TWHIT	10x10
2 1/2"	60.3	115	84	144	109	85.4x1/6TWHIT	10x10
3"	73.0	128	84	144	115	98.1x1/6TWHIT	10x10
4"	97.5	154	104	160	131	123.8x1/6TWHIT	11x11
6"	148	215	150	220	161.5	174.3x1/6TWHIT	11x11



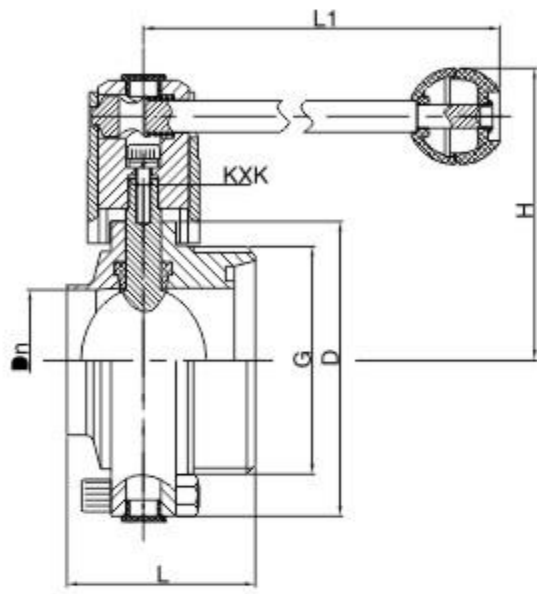
ST-V1005 螺纹蝶阀(3A)  
Threaded Butterfly Valve(3A)

Size	DN	D	L	L1	H	G	KXX
1"	22.1	78	66	126	86	37.1x1/8Acme	8x8
1 1/4"	28.8	78	70	126	86	45.9x1/8Acme	8x8
1 1/2"	34.8	86	70	126	90	50.6x1/8Acme	8x8
2"	47.5	102	76	133	102	64.1x1/8Acme	10x10
2 1/2"	60.2	115	80	144	109	77.6x1/8Acme	10x10
3"	72.9	128	84	144	115	91.1x1/8Acme	10x10
4"	97.4	154	104	160	131	119.2x1/6Acme	11x11



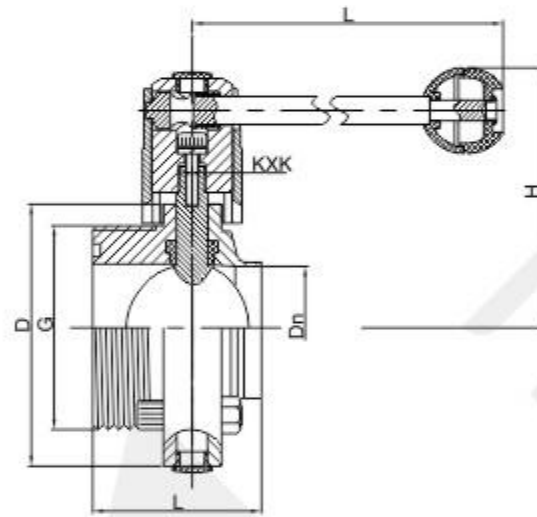
ST-V1006 螺纹蝶阀(DS)  
Threaded Butterfly Valve(DS)

Size	DN	D	L	L1	H	G	KXX
1"	22.4	78	66	126	86	RD44x1/6	8x8
1 1/4"	28.8	78	66	126	86	RD52x1/6	8x8
1 1/2"	35.1	86	70	126	90	RD58x1/6	8x8
2"	47.8	102	76	133	102	RD72x1/6	10x10
2 1/2"	59.5	115	80	144	109	RD88x1/6	10x10
3"	72.2	128	84	144	115	RD100x1/6	10x10
4"	97.6	154	104	160	131	RD130x1/4	11x11



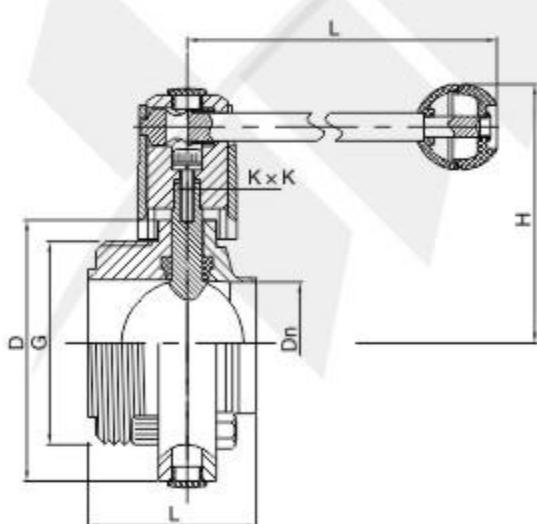
ST-V1007 单螺纹单焊接蝶阀(DIN)  
Male / Welded Butterfly Valve(DIN)

Size	DN	D	L	L1	H	G	KxK
DN10	10	78	58	126	86	RD28x1/8	8x8
DN15	15	78	58	126	86	RD34x1/8	8x8
DN20	19	78	58	126	86	RD44x1/6	8x8
DN25	25	78	58	126	86	RD52x1/6	8x8
DN32	31	86	60	126	90	RD58x1/6	8x8
DN40	37	90	62	126	92	RD65x1/6	8x8
DN50	49	106	64	133	104	RD78x1/6	10x10
DN65	66	124	68	144	113	RD95x1/6	10x10
DN80	81	139	72	160	123.5	RD110x1/4	11x11
DN100	100	159	84	160	133.5	RD130x1/4	11x11
DN125	125	185	105	220	146.5	RD160x1/4	11x11
DN150	150	215	120	220	161.5	RD190x1/4	11x11



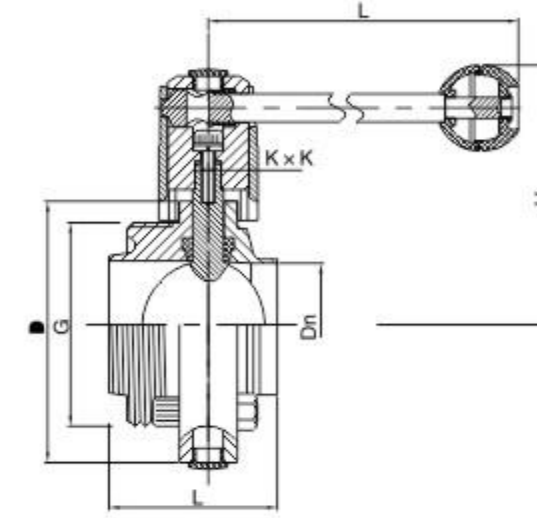
ST-V1008 单螺纹单焊接蝶阀(SMS)  
Male / Welded Butterfly Valve(SMS)

Size	DN	D	L	L1	H	G	KxK
Φ19	16	78	58	126	86	RD36x1/8	8x8
Φ25	22.4	78	58	126	86	RD40x1/6	8x8
Φ32	28.8	78	58	126	86	RD48x1/6	8x8
Φ38	35.1	86	60	126	90	RD60x1/6	8x8
Φ51	47.8	102	64	133	102	RD70x1/6	10x10
Φ63	59.5	115	68	144	109	RD85x1/6	10x10
Φ76	72.2	128	70	144	115	RD98x1/6	10x10
Φ89	85	139	73	160	123.5	RD110x1/6	11x11
Φ102小	97.6	154	84	160	131	RD125x1/6	11x11
Φ102大	97.6	159	84	160	133.5	RD132x1/6	11x11



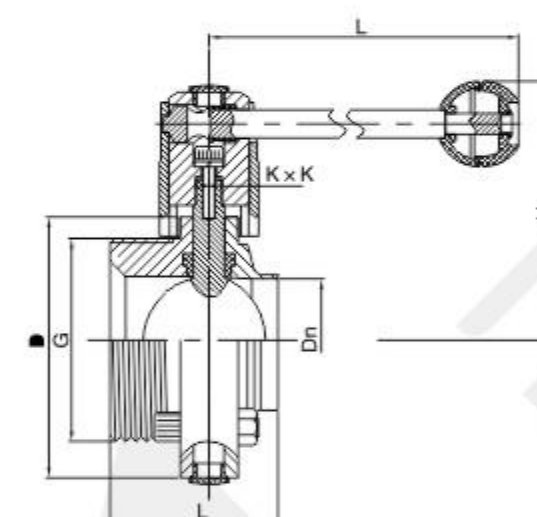
ST-V1009 单螺纹单焊接蝶阀(ISO/IDF)  
Male / Welded Butterfly Valve(ISO/IDF)

Size	DN	D	L	L1	H	G	KxK
1"	22.4	78	61	126	86	37.1x1/8Acme	8x8
1 1/2"	35.1	86	63	126	90	50.6x1/8Acme	8x8
2"	47.8	102	67	133	102	64.1x1/8Acme	10x10
2 1/2"	59.5	115	71	144	109	77.6x1/8Acme	10x10
3"	72.2	128	73	144	115	91.1x1/8Acme	10x10
4"(ISO)	97.6	154	87	160	131	118.2x1/8Acme	11x11
4"(IDF)	97.6	154	87	160	131	125.9x1/6Acme	11x11



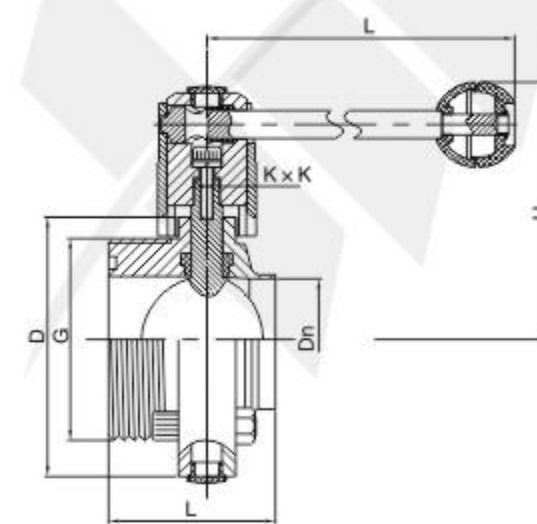
ST-V1010 单螺纹单焊接蝶阀(RJ)  
Male / Welded Butterfly Valve(RJ)

Size	DN	D	L	L1	H	G	KxK
1"	22.2	78	65	126	86	45.7x1/8TWHIT	8x8
1 1/2"	34.9	86	65	126	90	58.4x1/8TWHIT	8x8
2"	47.6	102	68	133	102	72.7x1/6TWHIT	10x10
2 1/2"	60.3	115	70	144	109	85.4x1/6TWHIT	10x10
3"	73.0	128	70	144	115	98.1x1/6TWHIT	10x10
4"	97.5	154	84	160	131	123.8x1/6TWHIT	11x11
6"	148	215	120	220	161.5	174.3x1/6TWHIT	11x11



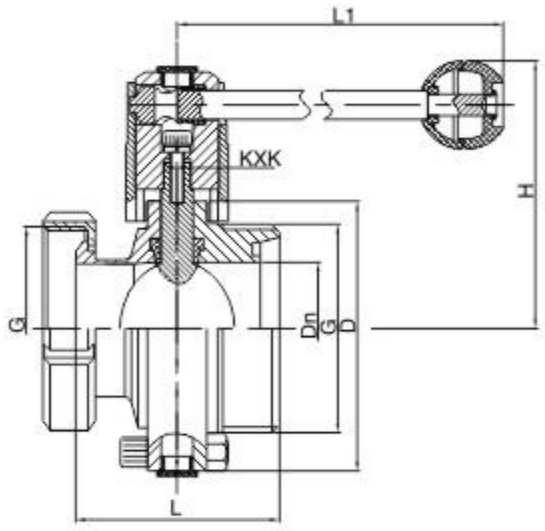
ST-V1011 单螺纹单焊接蝶阀(3A)  
Male / Welded Butterfly Valve(3A)

Size	DN	D	L	L1	H	G	KxK
1"	22.1	78	58	126	86	37.1x1/8Acme	8x8
1 1/4"	28.8	78	60	126	86	45.9x1/8Acme	8x8
1 1/2"	34.8	86	60	126	90	50.6x1/8Acme	8x8
2"	47.5	102	64	133	102	64.1x1/8Acme	10x10
2 1/2"	60.2	115	68	144	109	77.6x1/8Acme	10x10
3"	72.9	128	70	144	115	91.1x1/8Acme	10x10
4"	97.4	154	84	160	131	119.2x1/6Acme	11x11



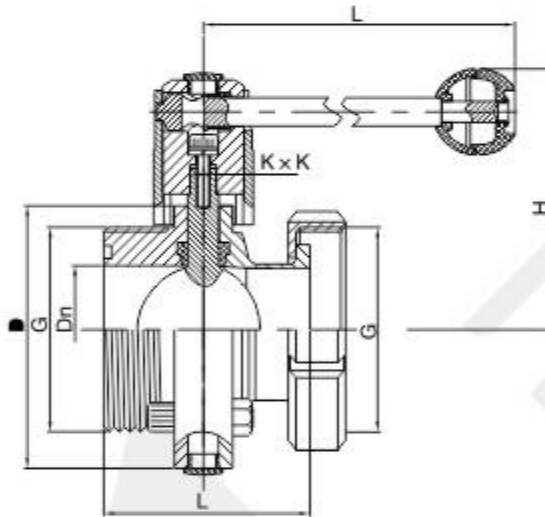
ST-V1012 单螺纹单焊接蝶阀(DS)  
Male / Welded Butterfly Valve(DS)

Size	DN	D	L	L1	H	G	KxK
1"	22.4	78	58	126	86	RD44x1/6	8x8
1 1/4"	28.8	78	58	126	86	RD52x1/6	8x8
1 1/2"	35.1	86	60	126	90	RD58x1/6	8x8
2"	47.8	102	64	133	102	RD72x1/6	10x10
2 1/2"	59.5	115	68	144	109	RD88x1/6	10x10
3"	72.2	128	70	144	115	RD100x1/6	10x10
4"	97.6	154	84	160	131	RD130x1/4	11x11



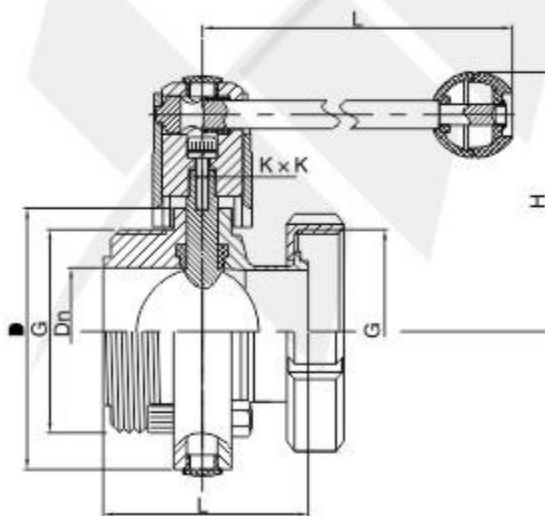
ST-V1013 单螺纹单螺母蝶阀(DIN)  
Male / Nut Butterfly Valve(DIN)

Size	DN	D	L	L1	H	G	KxK
DN10	10	78	75	126	86	RD28x1/8	8x8
DN15	15	78	75	126	86	RD34x1/8	8x8
DN20	19	78	76	126	86	RD44x1/6	8x8
DN25	25	78	80	126	86	RD52x1/6	8x8
DN32	31	86	85	126	90	RD58x1/6	8x8
DN40	37	90	88	126	92	RD65x1/6	8x8
DN50	49	106	92	133	104	RD78x1/6	10x10
DN65	66	124	100	144	113	RD95x1/6	10x10
DN80	81	139	109	160	123.5	RD110x1/4	11x11
DN100	100	159	128	160	133.5	RD130x1/4	11x11
DN125	125	185	139	220	146.5	RD160x1/4	11x11
DN150	150	215	157	220	161.5	RD190x1/4	11x11



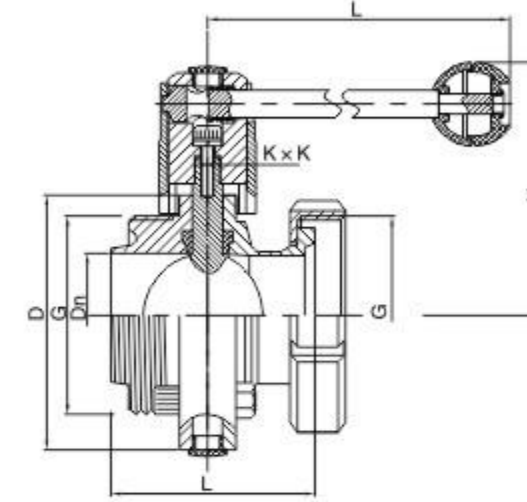
ST-V1014 单螺纹单螺母蝶阀(SMS)  
Male / Nut Butterfly Valve(SMS)

Size	DN	D	L	L1	H	G	KxK
Φ19	16	78	70	126	86	RD36x1/8	8x8
Φ25	22.4	78	73	126	86	RD40x1/6	8x8
Φ32	28.8	78	78	126	86	RD48x1/6	8x8
Φ38	35.1	86	80	126	90	RD60x1/6	8x8
Φ51	47.8	102	84	133	102	RD70x1/6	10x10
Φ63	59.5	115	89	144	109	RD85x1/6	10x10
Φ76	72.2	128	91	144	115	RD98x1/6	10x10
Φ89	85	139	94	160	123.5	RD110x1/6	11x11
Φ102小	97.6	154	105	160	131	RD125x1/6	11x11
Φ102大	97.6	159	105	160	133.5	RD132x1/6	11x11



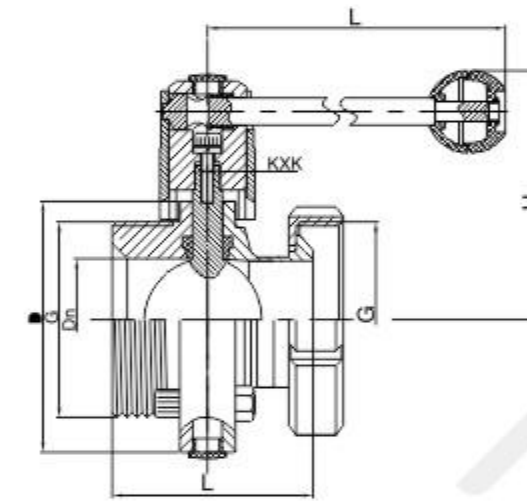
ST-V1015 单螺纹单螺母蝶阀(ISO/IDF)  
Male / Nut Butterfly Valve(ISO/IDF)

Size	DN	D	L	L1	H	G	KxK
1"	22.4	78	82.5	126	86	37.1x1/8Acme	8x8
1 1/2"	35.1	86	84.5	126	90	50.6x1/8Acme	8x8
2"	47.8	102	88.5	133	102	64.1x1/8Acme	10x10
2 1/2"	59.5	115	92.5	144	109	77.6x1/8Acme	10x10
3"	72.2	128	94.5	144	115	91.1x1/8Acme	10x10
4"(ISO)	97.6	154	108.5	160	131	118.2x1/8Acme	11x11
4"(IDF)	97.6	154	117	160	131	125.9x1/6Acme	11x11



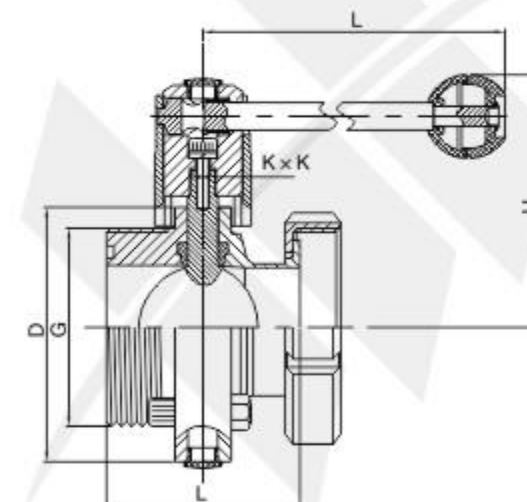
ST-V1016 单螺纹单螺母蝶阀(RJT)  
Male / Nut Butterfly Valve(RJT)

Size	DN	D	L	L1	H	G	KxK
1"	22.2	78	77.7	126	86	45.7x1/8TWHIT	8x8
1 1/2"	34.9	86	77.7	126	90	58.4x1/8TWHIT	8x8
2"	47.6	102	80.7	133	102	72.7x1/6TWHIT	10x10
2 1/2"	60.3	115	82.7	144	109	85.4x1/6TWHIT	10x10
3"	73.0	128	82.7	144	115	98.1x1/6TWHIT	10x10
4"	97.5	154	109.4	160	131	123.8x1/6TWHIT	11x11
6"	148	215	143.5	220	161.5	174.3x1/6TWHIT	11x11



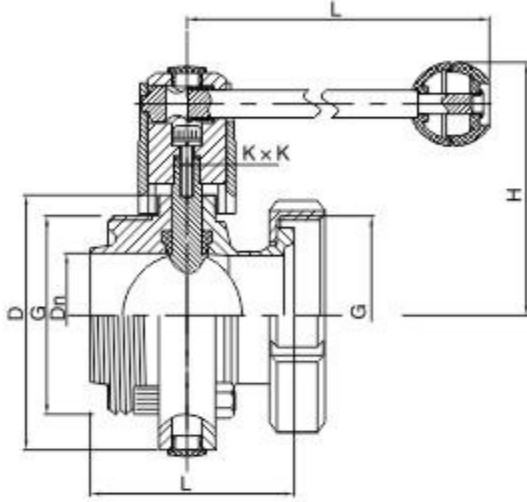
ST-V1017 单螺纹单螺母蝶阀(3A)  
Male / Nut Butterfly Valve(3A)

Size	DN	D	L	L1	H	G	KxK
1"	22.1	78	92.9	126	86	37.1x1/8Acme	8x8
1 1/4"	28.8	78	94.9	126	86	45.9x1/8Acme	8x8
1 1/2"	34.8	86	98.1	126	90	50.6x1/8Acme	8x8
2"	47.5	102	102.1	133	102	64.1x1/8Acme	10x10
2 1/2"	60.2	115	112.5	144	109	77.6x1/8Acme	10x10
3"	72.9	128	114.5	144	115	91.1x1/8Acme	10x10
4"	97.4	154	128.5	160	131	119.2x1/6Acme	11x11



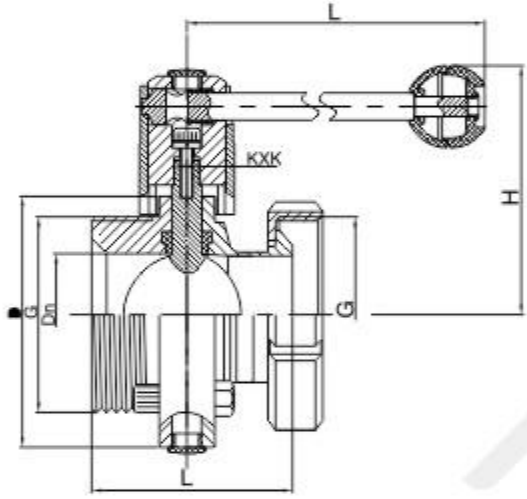
ST-V1018 单螺纹单螺母蝶阀(DS)  
Male / Nut Butterfly Valve(DS)

Size	DN	D	L	L1	H	G	KxK
1"	22.4	78	74	126	86	RD44x1/6	8x8
1 1/4"	28.8	78	74	126	86	RD52x1/6	8x8
1 1/2"	35.1	86	78	126	90	RD58x1/6	8x8
2"	47.8	102	84	133	102	RD72x1/6	10x10
2 1/2"	59.5	115	90	144	109	RD88x1/6	10x10
3"	72.2	128	94	144	115	RD100x1/6	10x10
4"	97.6	154	114	160	131	RD130x1/4	11x11



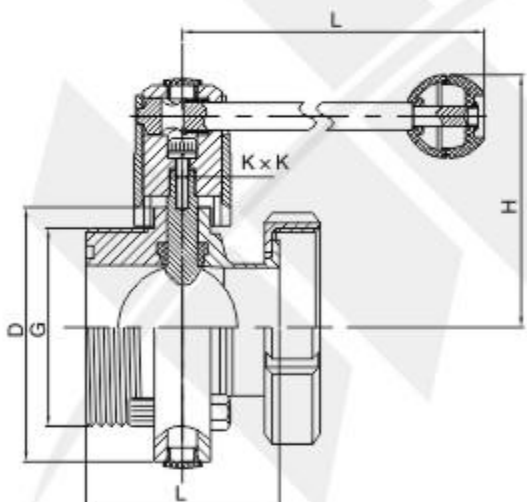
ST-V1016 单螺纹单螺母蝶阀(RJT)  
Male / Nut Butterfly Valve(RJT)

Size	DN	D	L	L1	H	G	KXK
1"	22.2	78	77.7	126	86	45.7x1/8TWHIT	8x8
1 1/2"	34.9	86	77.7	126	90	58.4x1/8TWHIT	8x8
2"	47.6	102	80.7	133	102	72.7x1/6TWHIT	10x10
2 1/2"	60.3	115	82.7	144	109	85.4x1/6TWHIT	10x10
3"	73.0	128	82.7	144	115	98.1x1/6TWHIT	10x10
4"	97.5	154	109.4	160	131	123.8x1/6TWHIT	11x11
6"	148	215	143.5	220	161.5	174.3x1/6TWHIT	11x11



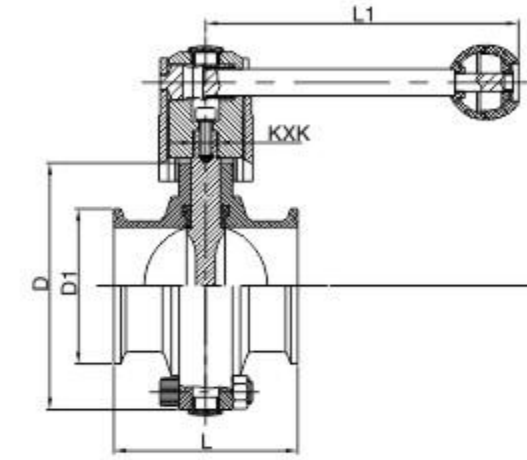
ST-V1017 单螺纹单螺母蝶阀(3A)  
Male / Nut Butterfly Valve(3A)

Size	DN	D	L	L1	H	G	KXK
1"	22.1	78	92.9	126	86	37.1x1/8Acme	8x8
1 1/4"	28.8	78	94.9	126	86	45.9x1/8Acme	8x8
1 1/2"	34.8	86	98.1	126	90	50.6x1/8Acme	8x8
2"	47.5	102	102.1	133	102	64.1x1/8Acme	10x10
2 1/2"	60.2	115	112.5	144	109	77.6x1/8Acme	10x10
3"	72.9	128	114.5	144	115	91.1x1/8Acme	10x10
4"	97.4	154	128.5	160	131	119.2x1/6Acme	11x11



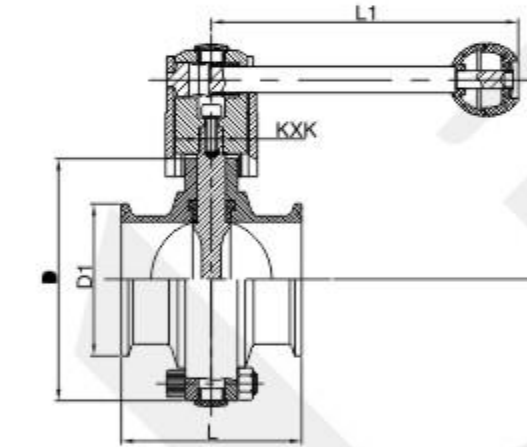
ST-V1018 单螺纹单螺母蝶阀(DS)  
Male / Nut Butterfly Valve(DS)

Size	DN	D	L	L1	H	G	KXK
1"	22.4	78	74	126	86	RD44x1/6	8x8
1 1/4"	28.8	78	74	126	86	RD52x1/6	8x8
1 1/2"	35.1	86	78	126	90	RD58x1/6	8x8
2"	47.8	102	84	133	102	RD72x1/6	10x10
2 1/2"	59.5	115	90	144	109	RD88x1/6	10x10
3"	72.2	128	94	144	115	RD100x1/6	10x10
4"	97.6	154	114	160	131	RD130x1/4	11x11



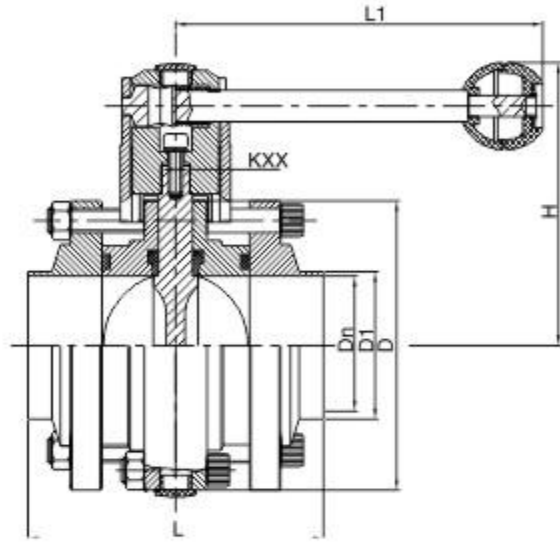
ST-V1021 卡箍蝶阀(DIN)  
Clamped Butterfly Valve(DIN)

Size	D1	D	L	L1	H	KXK
DN10	34	78	66	126	86	8x8
DN15	34	78	66	126	86	8x8
DN20	34	78	66	126	86	8x8
DN25	50.5	78	66	126	86	8x8
DN32	50.5	78	66	126	86	8x8
DN40	50.5	86	70	126	90	8x8
DN50	64	102	76	133	102	10x10
DN65	91	120	80	144	111	10x10
DN80	106	134	84	160	121	11x11
DN100	119	154	104	160	131	11x11
DN125	144.5	185	122	220	146.5	11x11
DN125	155	185	122	220	146.5	11x11
DN150	167	215	146	220	161.5	11x11
DN150	183	215	146	220	161.5	11x11
DN200	217.4	285	166	284	199	14x14
DN200	233.5	285	166	284	199	14x14



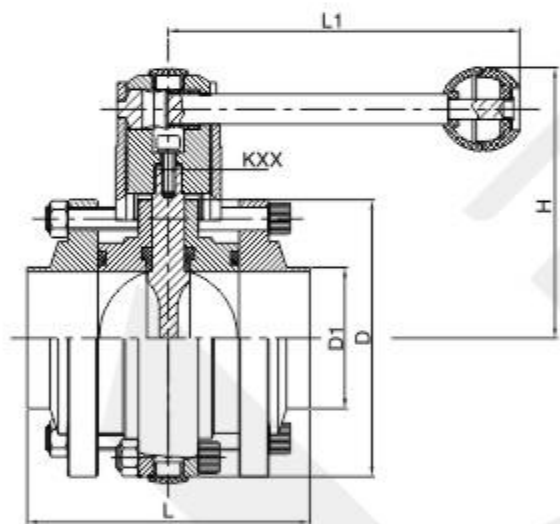
ST-V1022 卡箍蝶阀(3A, SMS, ISO, DS)  
Clamped Butterfly Valve(3A, SMS, ISO, DS)

Size	D1	D	L	L1	H	KXK
1/2"	25.4	78	66	126	86	8x8
3/4"	25.4	78	66	126	86	8x8
1"	50.5	78	66	126	86	8x8
1 1/4"	50.5	78	66	126	86	8x8
1 1/2"	50.5	86	70	126	90	8x8
45	64	90	74	126	92	8x8
48	64	95	76	126	95	8x8
2"	64	102	76	133	102	10x10
57	77.5	106	76	144	104	10x10
2 1/2"	77.5	115	80	144	109	10x10
3"	91	128	84	144	115	10x10
3.5"	106	139	86	144	123.5	11x11
4"	119	154	104	144	131	11x11
108	119	159	106	160	133.5	11x11
114	130	159	106	160	133.5	11x11
5"	144.5	185	122	220	146.5	11x11
133	155	185	122	220	146.5	11x11
6"	167	215	146	220	161.5	11x11
159	183	215	146	220	161.5	11x11
168.3	183	215	146	220	161.5	11x11
8"	217.4	285	166.8	284	199	14x14
219	233.5	285	166.8	284	199	14x14



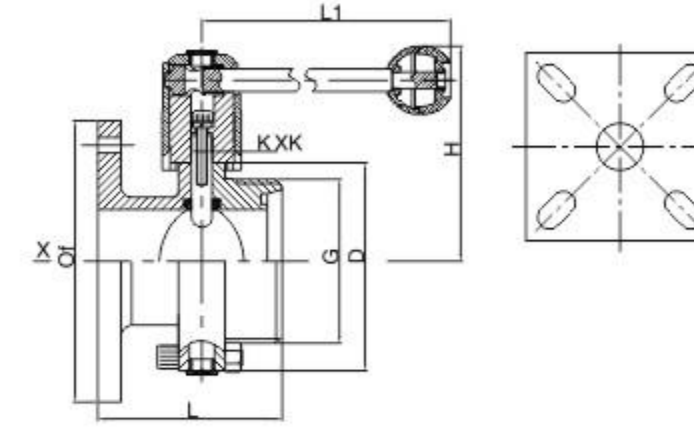
ST-V1023 三片式蝶阀(DIN)  
Three-Piece Butterfly Valve(DIN)

SIZE	D1		D	L	L1	H	t	KXX
	1	2						
DN10	12	13	78	100	126	86	1.5	8X8
DN15	18	19	78	100	126	86	1.5	8X8
DN20	22	23	78	100	126	86	1.5	8X8
DN25	28	29	78	100	126	86	1.5	8X8
DN32	34	35	78	100	126	86	1.5	8X8
DN40	40	41	90	100	126	92	1.5	8X8
DN50	52	53	102	104	133	102	1.5	10X10
DN65	70	-	120	112	144	111	2.0	10X10
DN80	85	-	134	120	160	121	2.0	11X11
DN100	104	-	154	128	160	131	2.0	11X11
DN125	129	-	185	160	220	146.5	2.0	11X11
DN150	154	-	215	180	220	161.5	2.0	11X11
DN200	204	-	285	180	284	199	2.0	14X14



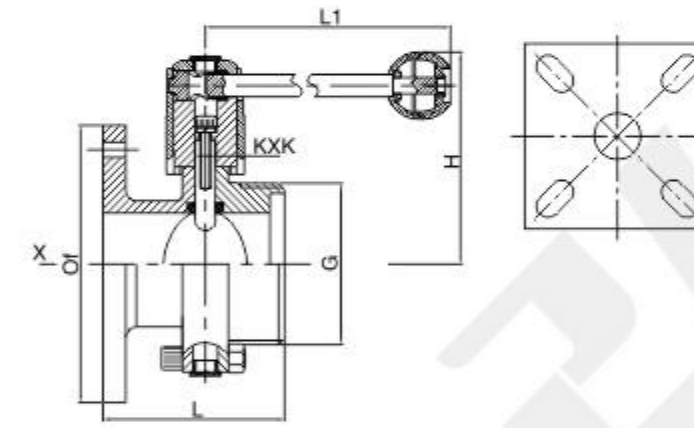
ST-V1024 三片式蝶阀(3A, SMS, ISO, DS)  
Three-Piece Butterfly Valve(3A, SMS, ISO, DS)

SIZE	D1	D	L	L1	H	KXX
1/2"	12.7	78	100	126	86	8X8
3/4"	19	78	100	126	86	8X8
1"	25.4	78	100	126	86	8X8
1 1/4"	31.8	78	100	126	86	8X8
1 1/2"	38.1	86	100	126	90	8X8
45	45	90	100	126	92	8X8
2"	50.8	102	104	133	102	10X10
57	57	102	104	144	104	10X10
2 1/2"	63.5	115	112	144	109	10X10
3"	76.2	128	112	144	115	10X10
3.5"	89	139	120	144	123.5	11X11
4"	101.6	154	128	144	131	11X11
108	108	159	128	160	133.5	11X11
114	114.3	159	128	160	133.5	11X11
5"	127	185	160	220	146.5	11X11
133	133	185	160	220	146.5	11X11
6"	152.4	215	180	220	161.5	11X11
159	159	215	180	220	161.5	11X11
168.3	168.3	215	180	220	161.5	11X11
8"	203.2	285	180	284	199	14X14
219	219	285	180	284	199	14X14



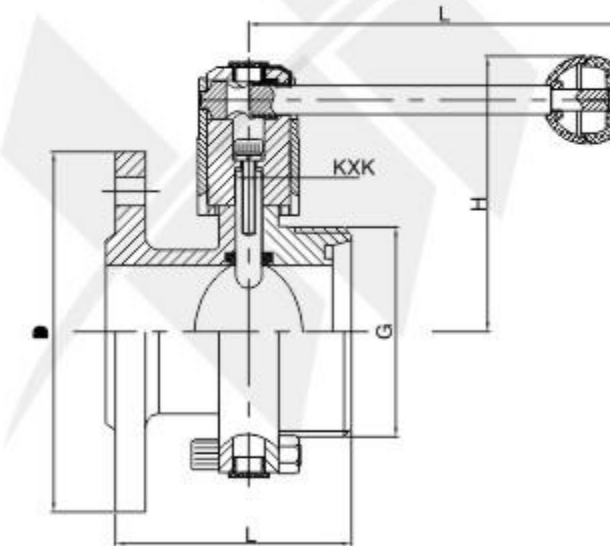
ST-V1025 单四方法兰单螺纹蝶阀(DIN)  
Square Flange/ Threaded Butterfly Valve(DIN)

SIZE	D	Of	L	L1	H	KXX	G
DN15	78	100X100	68	126	86	8X8	RD34X1/8
DN20	78	100X100	68	126	86	8X8	RD44X1/6
DN25	78	100X100	68	126	86	8X8	RD52X1/6
DN32	86	100X100	70	126	90	8X8	RD58X1/6
DN40	90	100X100	72	126	92	8X8	RD65X1/6
DN50	106	100X100	74	133	104	10X10	RD78X1/6
DN65	124	120X120	80	144	113	10X10	RD95X1/6
DN80	139	140X140	85	160	123.5	11X11	RD110X1/4
DN100	159	140X140	96	160	133.5	11X11	RD130X1/4



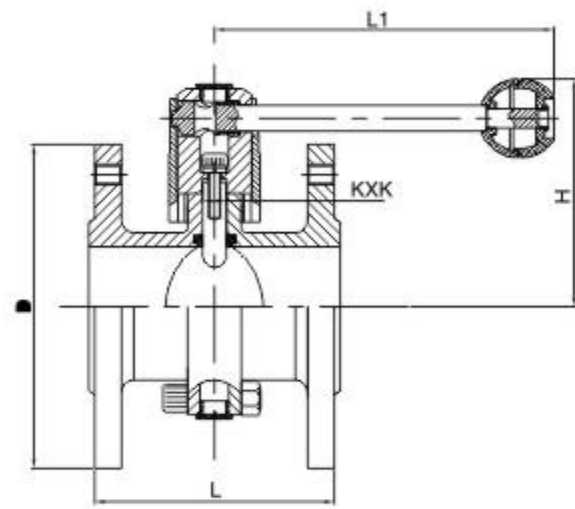
ST-V1026 单四方法兰单螺纹蝶阀(FIL)  
Square Flange /Threaded Butterfly Valve(FIL)

SIZE	Of	L	L1	H	KXX	G
DN40	100X100	69	126	92	8X8	55X3
DN50	100X100	69	133	104	10X10	67X3
DN65	120X120	71	144	113	10X10	90X3.5
DN80	140X140	88	160	123.5	11X11	104X4
DN100	140X140	94	160	133.5	11X11	125X4



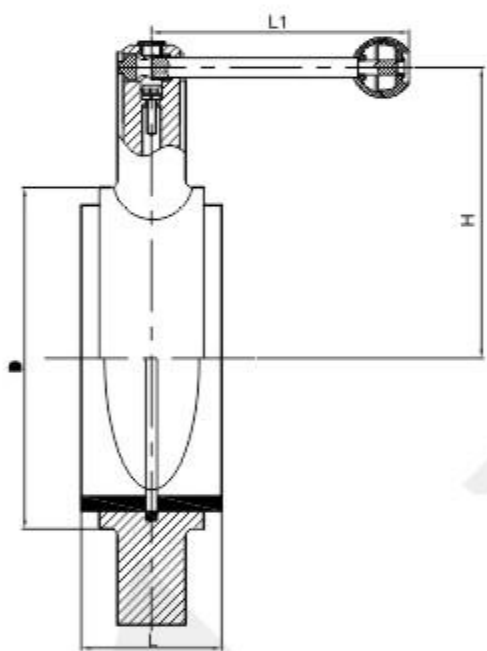
ST-V1027 单圆法兰单螺纹蝶阀(DIN)  
Round Flange/Threaded Butterfly Valve(DIN)

SIZE	D	G(Rd)	L	L1	H	KXX
DN25	115	RD52X1/6	80	126	80	8X8
DN32	135	RD58X1/6	86	126	80	8X8
DN40	145	RD65X1/6	92	126	86	8X8
DN50	160	RD78X1/6	94	133	106	10X10
DN65	180	RD95X1/6	104	144	115	10X10
DN80	195	RD110X1/4	110	160	122	11X11
DN100	215	RD130X1/4	130	160	132	11X11
DN125	245	RD160X1/4	154	220	147	11X11
DN150	280	RD190X1/4	174	220	162	11X11



ST-V1028 两边法兰式蝶阀  
Flanged Butterfly Valve

SIZE	D	L	L1	H	KXK
DN25	115	94	126	80	8X8
DN32	135	102	126	80	8X8
DN40	145	110	126	86	8X8
DN50	160	112	133	106	10X10
DN65	180	124	144	115	10X10
DN80	195	130	160	122	11X11
DN100	215	152	160	132	11X11
DN125	245	178	220	147	11X11
DN150	280	198	220	162	11X11



ST-V1029 D71对夹式蝶阀  
D71 wafer butterfly valve

SIZE	D	L	L1	H
DN40	85	38	124	122
DN50	95	39	130	127
DN65	107	42	130	133
DN80	125	43	140	142
DN100	156	46	158	158
DN125	180	55	220	160
DN150	205	55	220	170
DN200	250	60	280	210



该蝶阀为对夹式蝶阀，用两片法兰将其阀门对夹即可，可选择不同压力的法兰。  
驱动方式：手动，气动，电动  
密封材质：EPDM, FPM, SILICON

The butterfly valve is wafer butterfly valve, that is to say, it just can be clamped by two pieces of flanges. Operators can choose any flanges with different pressure.  
The way of drive: manually, pneumatically, electrically  
Sealing material: EPDM, FPM, SILICON