

卫生级球阀

SANITARY BALL VALVE



弘特流体
HONGTEFLUID

流体阀门管件集成智造商

INTEGRATED INTELLIGENT MANUFACTURER
OF FLUID VALVES AND FITTINGS





应用
Applications

无论是手动还是自动操作球阀，主要应用于加工饮料，酿酒，炼油，化妆品和化学工业。
It is Widely Used In Beverage, Brewing, Oil Refinery, Cosmetic, Chemical Industries.



设计和特点
Design and features

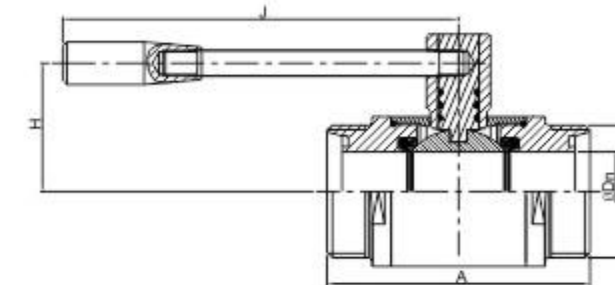
- 无需维护
- 比其他的阀门更小更轻
- 操纵扭矩小
- 垫圈根据PTFE FDA 177.2600
- 无论流体是何种流向，手柄可以安装在侧边的阀体上
- 无论是何种连接方式，阀体都可进行更换，而不会改变阀门的总长度
- 连接：螺纹，焊接，卡箍，法兰，DIN SMS RJT FIL
- 可装配气动执行器，电动执行器
- 物料接触部位 AISI 304/316L，其它部位 AISI 304
- 阀门类型：直通球阀，三片式球阀，三通球阀
- 球芯类型：T型、L型、直通型
- 材质：AISI 304 316L
- Free of maintenances
- Compact and portable
- Small operating torque
- Gasket complies with PTFE FDA 177.2600
- Hand lever can be installed on the side of the valve body, no matter of the flow direction.
- Connection ends: thread, clamp, weld, flange, DIN, SMS, RJT, FIL.
- It can match with pneumatic and electric actuators.
- Material for the part contacted with media is AISI 304/316L. Other part is AISI 304
- Type of valves: One way ball valve, three-piece ball valve. Three-way ball valve
- Type of cores: T type, L type, direct type.
- Material quality: AISI 304, 316L

操作扭矩(N.m.)
Operating torque(N.m.)

操作扭矩 (N.m) (干燥测试)	DN10-DN20	DN25	DN32	DN40	DN50	2.5"	DN65	DN80	DN100
Dry test	1/2"-3/4"	1"	1 1/4"	1 1/2"	2"	25	30	40	70

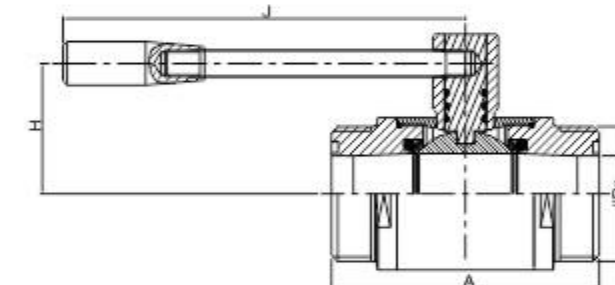


三通球阀
Three-way ball valve



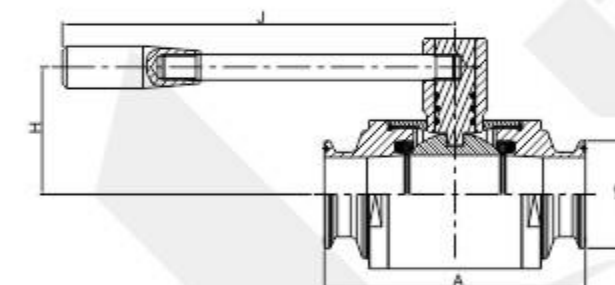
ST-V1047 直通螺纹球阀(DIN)
Direct Way Threaded Ball Valve (DIN)

Size	Rd	Dn	A	H	J	N.W
DN10	Rd28 × 1/8"	10	95	40	124	820
DN15	Rd34 × 1/8"	15	95	40	124	850
DN20	Rd44 × 1/6"	19	95	40	124	945
DN25	Rd52 × 1/6"	25	100	48	146	1300
DN32	Rd58 × 1/6"	31	108	50	146	1740
DN40	Rd65 × 1/6"	37	115	60	185	2160
DN50	Rd78 × 1/6"	49	136	68	185	2960
DN65	Rd95 × 1/6"	66	161	89	243	5100
DN80	Rd110 × 1/4"	81	180	100	243	7390
DN100	Rd130 × 1/4"	100	204	115.5	273	11120



ST-V1048 直通螺纹球阀(SMS)
Direct Way Threaded Ball Valve (SMS)

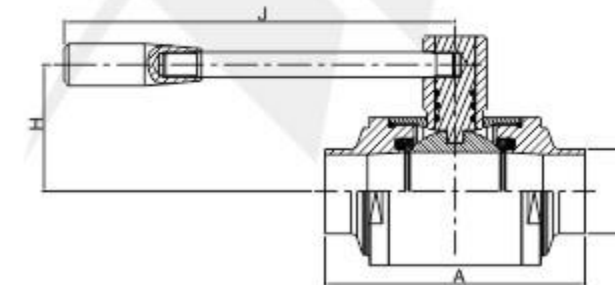
Size	Rd	Dn	A	H	J	N.W
1/2"	Rd36 × 1/8"	9.7	95	40	124	945
3/4"	Rd36 × 1/8"	16	95	40	124	900
1"	Rd40 × 1/6"	22.4	100	48	146	1200
1 1/4"	Rd48 × 1/6"	28.8	108	50	185	1600
1 1/2"	Rd60 × 1/6"	35.1	115	60	185	2340
2"	Rd70 × 1/6"	47.8	136	68	185	2860
2 1/2"	Rd85 × 1/6"	59.5	150	80	205	4560
3"	Rd98 × 1/6"	72.2	172	94	243	6200
4"	Rd125 × 1/4"	97.6	204	115.5	273	11290



ST-V1049 直通卡箍球阀(ISO IDF SMS 3A DS)
Direct Way Clamped Ball Valve(ISO IDF SMS 3A DS)

Size	D	A	H	J	N.W
1/2"	25.4	95	40	124	810
3/4"	25.4	95	40	124	780
1"	50.5	100	48	146	1265
1 1/4"	50.5	108	50	185	1520
1 1/2"	50.5	115	60	185	2000
2"	64	136	68	185	2685
2 1/2"	77.5	150	80	205	4115
3"	91	172	94	243	5625
4"	119	204	115.5	273	10890

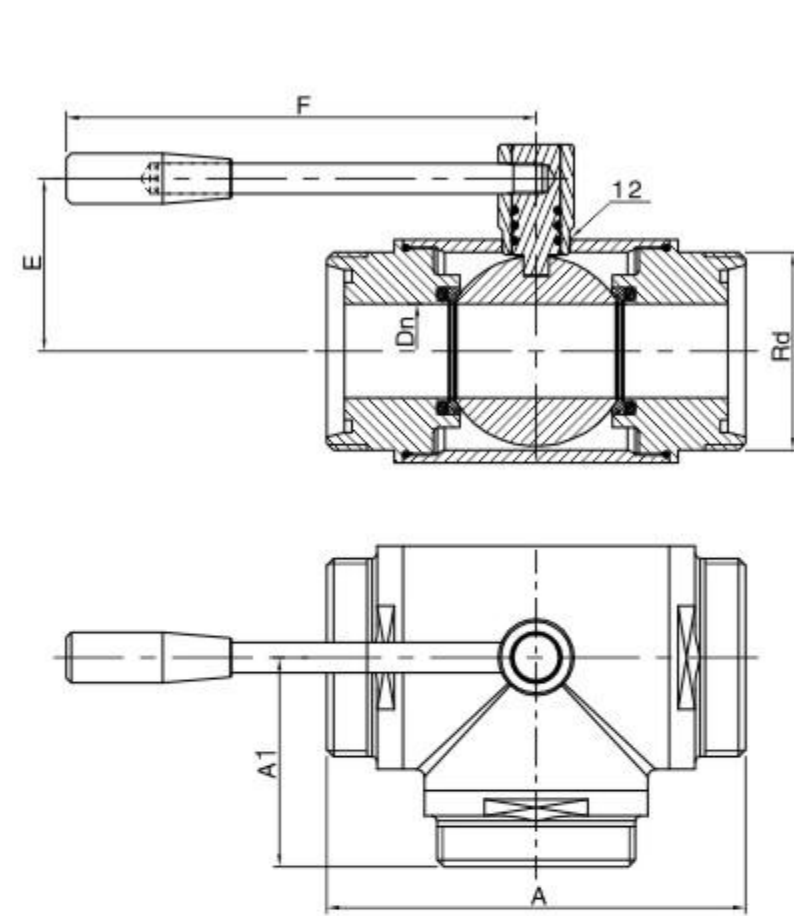
DIN标准尺寸与以上一样。



ST-V1050 直通焊接球阀(ISO IDF SMS 3A DS)
Direct Way Welded Ball Valve(ISO IDF SMS 3A DS)

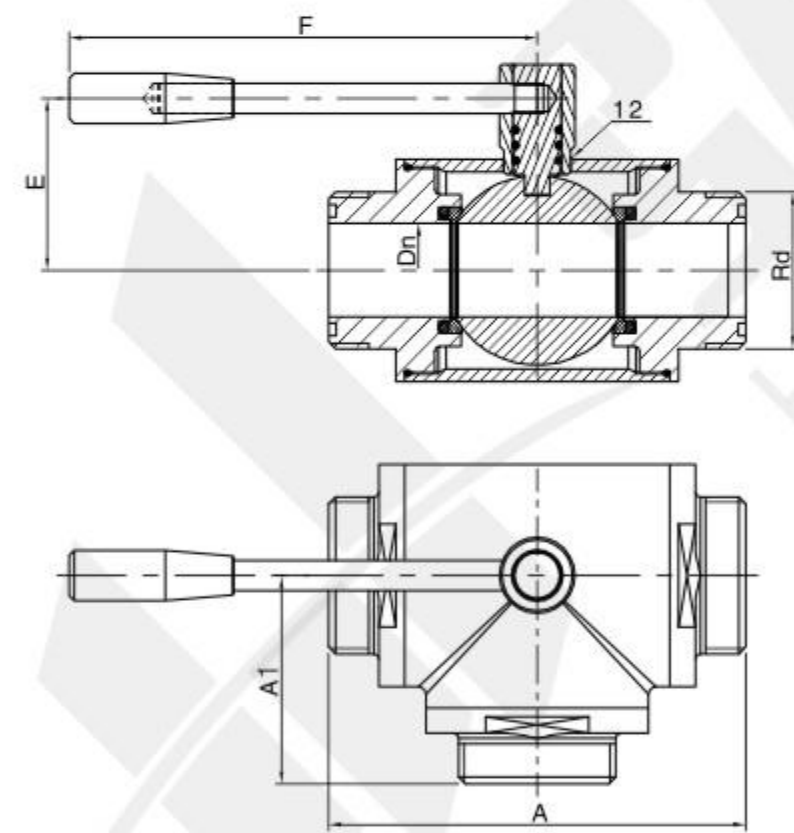
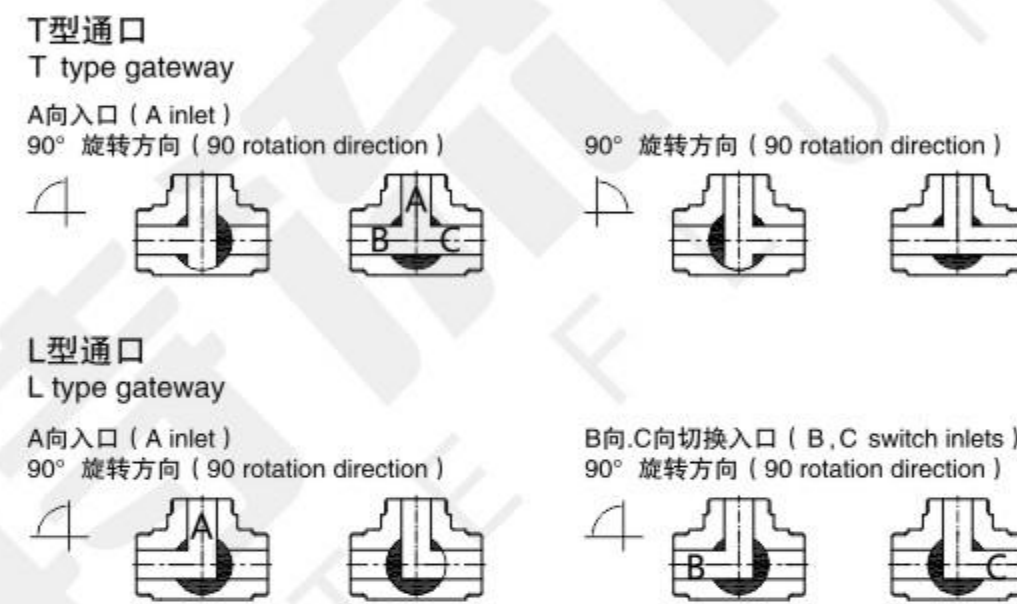
Size	D	A	H	J
1/2"	12.7	95	40	124
3/4"	19.1	95	40	124
1"	25.4	100	48	146
1 1/4"	31.8	108	50	185
1 1/2"	38.1	115	60	185
2"	50.8	136	68	185
2 1/2"	63.5	150	80	205
3"	76.2	172	94	243
4"	101.6	204	115.5	273

DIN标准尺寸与以上一样。



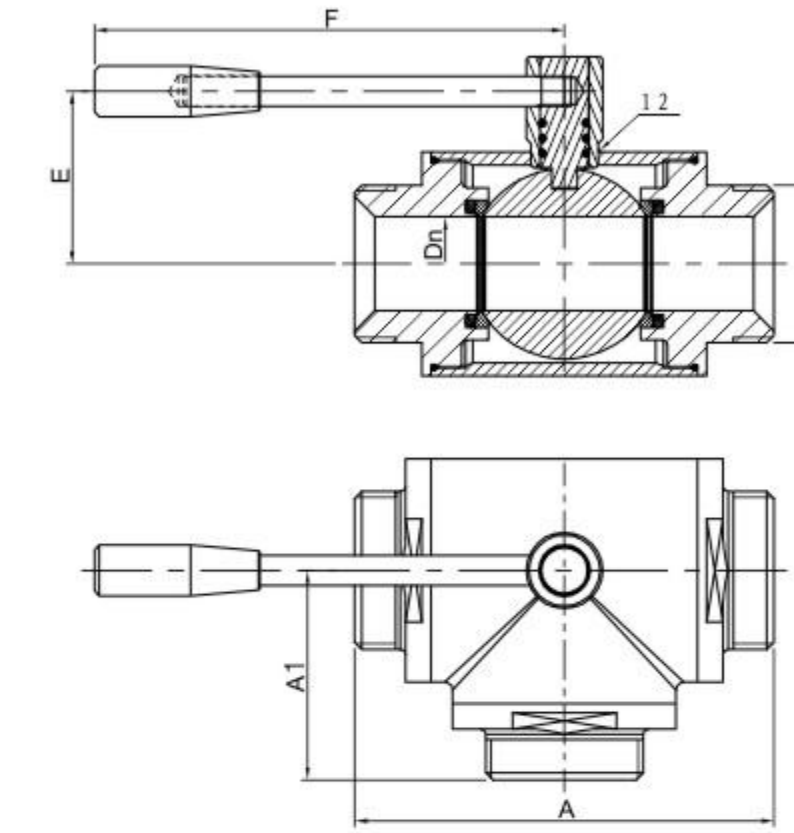
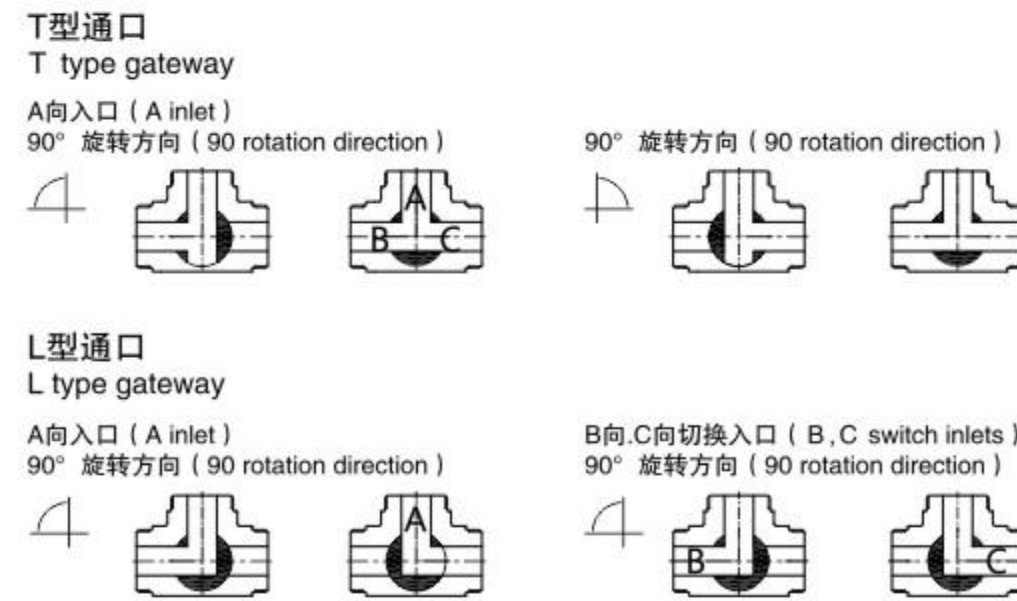
三通螺纹球阀(DIN)
ST-V1051 Three-Way Threaded Ball Valve(DIN)

SIZE	Dn	Rd	A	A1	E	F
DN25	25	Rd52x1/6"	136	68	53	146
DN32	31	Rd58x1/6"	138	70	54	185
DN40	37	Rd65x1/6"	156	80	65	185
DN50	49	Rd78x1/6"	170	90	72.5	243
DN65	66	Rd95x1/4"	204	107	94	243
DN80	81	Rd110x1/4"	230	123	107	273
DN100	100	Rd130x1/4"	264	142	123.5	273



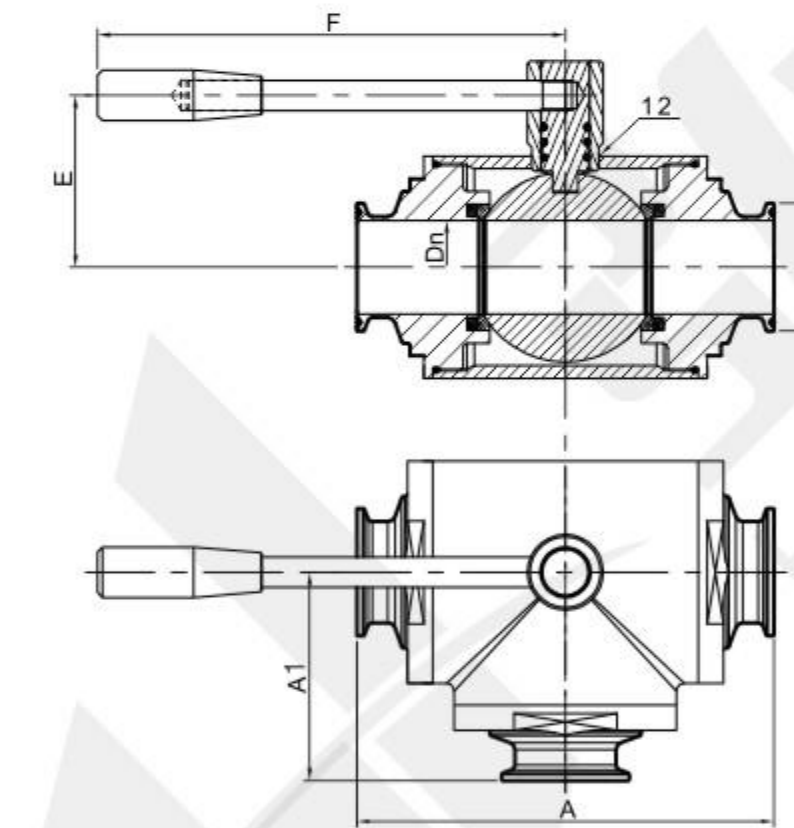
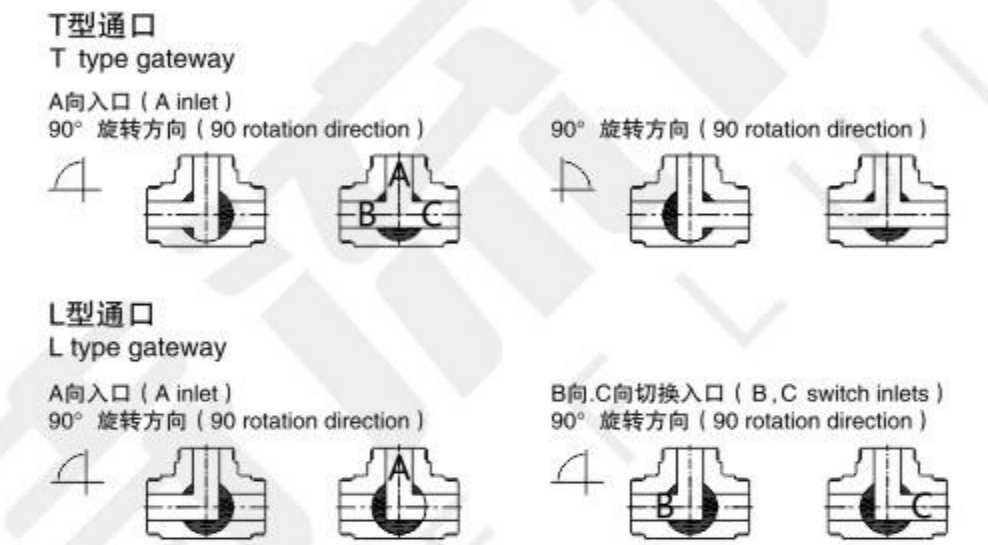
三通螺纹球阀(SMS)
ST-V1052 Three-Way Threaded Ball Valve(SMS)

SIZE	Dn	Rd	A	A1	E	F
1"	22.4	Rd40x1/6"	136	68	53	146
1 1/4"	28.8	Rd48x1/6"	138	70	54	185
1 1/2"	35.1	Rd60x1/6"	156	80	65	185
2"	47.8	Rd70x1/6"	170	90	72.5	243
2 1/2"	59.5	Rd85x1/6"	194	102	86	243
3"	72.2	Rd98x1/6"	220	118	99	243
4"	97.6	Rd125x1/4"	264	142	123.5	273



三通螺纹球阀(3A)
ST-V1053 Three-Way Threaded Ball Valve (3A)

SIZE	Acme	A	Dn	E	F
1"	37.1x1/8"	136	22.1	53	146
1 1/4"	45.9x1/8"	138	28.8	54	185
1 1/2"	50.6x1/8"	156	34.8	65	185
2"	64.1x1/8"	170	47.5	72.5	243
2 1/2"	77.6x1/8"	194	60.2	86	243
3"	91.1x1/8"	220	72.9	99	243
4"	119.2x1/6"	264	97.4	123.5	273

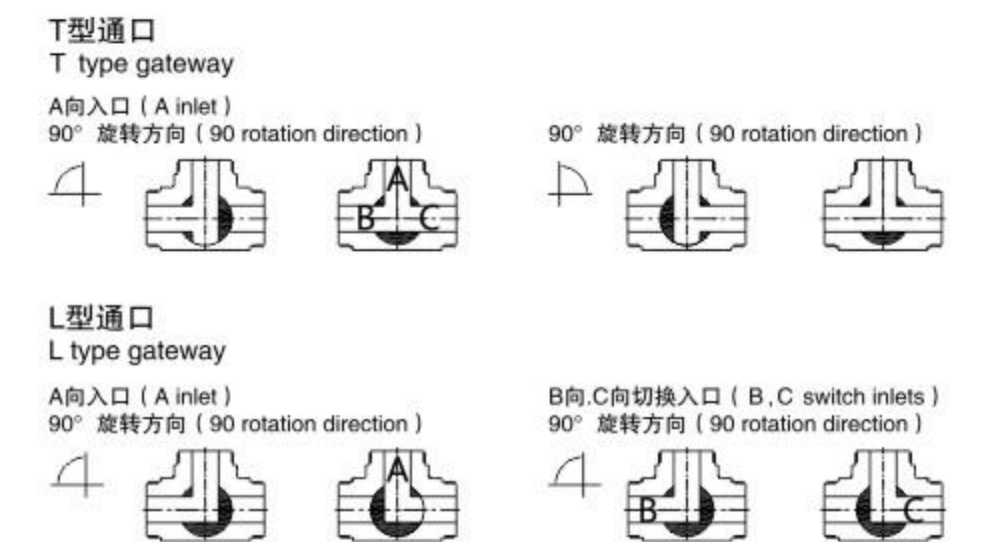


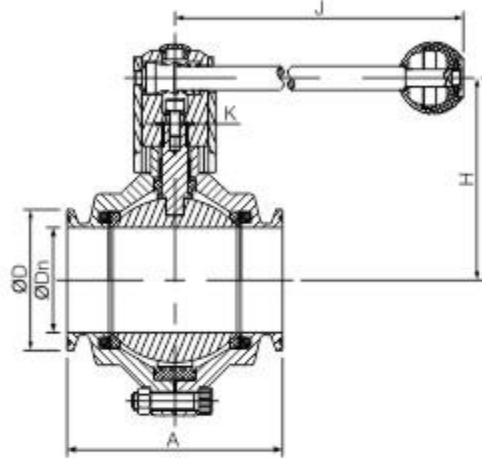
三通卡箍球阀(DIN)
ST-V1054 Three-Way Clamp Ball Valve(DIN)

SIZE	Dn	D	A	A1	E	F
DN25	25	50.5	136	68	53	146
DN32	31	50.5	138	71	54	185
DN40	37	50.5	156	80	65	185
DN50	49	64	170	90	72.5	243
DN65	66	91	204	107	94	243
DN80	81	106	226	123	107	273
DN100	100	119	264	142	123.5	273

三通卡箍球阀(3A SMS ISO IDF BS)
ST-V1055 Three-Way Clamp Ball Valve(3A SMS ISO IDF BS)

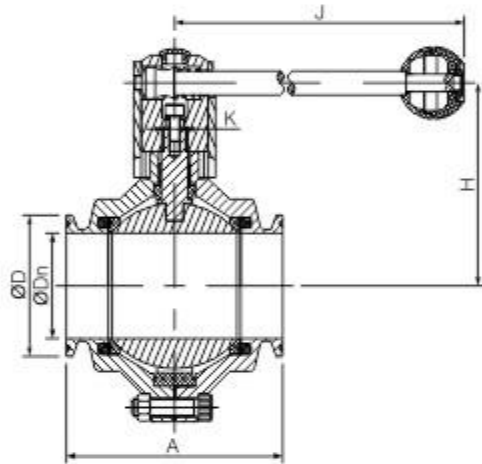
SIZE	Dn	D	A	A1	E	F
1"	22.4	50.5	136	68	53	185
1 1/4"	28.8	50.5	138	71	54	185
1 1/2"	35.1	50.5	156	80	65	185
2"	47.8	64	170	90	72.5	205
2 1/2"	59.5	77.5	194	102	86	243
3"	72.2	91	226	118	99	243
4"	97.6	119	264	142	123.5	273





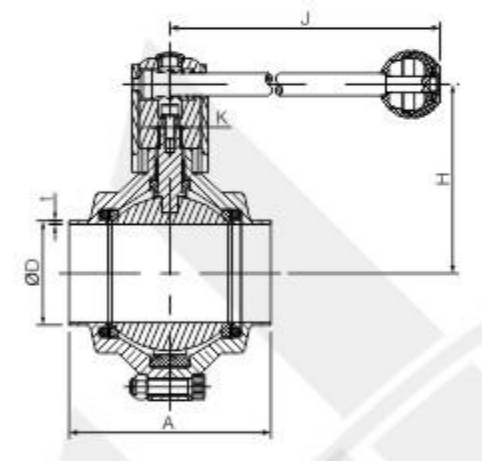
卡箍式蝶式球阀(DIN)
Clamped Butterfly-Type Ball Valve(DIN)

规格 Size	Dn	D	A	H	J	K
DN15	15	34	72	86	126	8 × 8
DN20	19	34	72	86	126	8 × 8
DN25	25	50.5	72	90	126	8 × 8
DN32	31	50.5	83	92	126	8 × 8
DN40	37	50.5	87	104	133	10 × 10
DN50	49	64	101	113	144	10 × 10
DN65	66	91	125	131	160	11 × 11
DN80	81	106	145	144	220	11 × 11
DN100	100	119	170	161	284	14 × 14



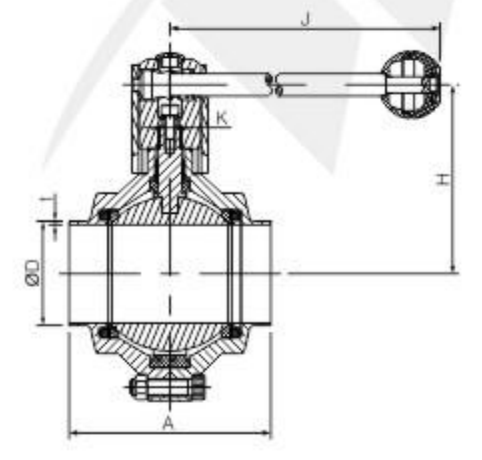
卡箍式蝶式球阀(3A SMS ISO DS)
Clamped Butterfly-Type Ball Valve(3A SMS ISO DS)

规格 Size	D	A	H	J	K
3/4"	25.4	72	86	126	8 × 8
1"	50.5	72	90	126	8 × 8
1 1/4"	50.5	83	92	126	8 × 8
1 1/2"	50.5	87	104	133	10 × 10
2"	64	101	113	144	10 × 10
2 1/2"	77.5	121	128	160	11 × 11
3"	91	135	138	220	11 × 11
3 1/2"	106	140	144	220	11 × 11
4"	119	170	161	284	14 × 14



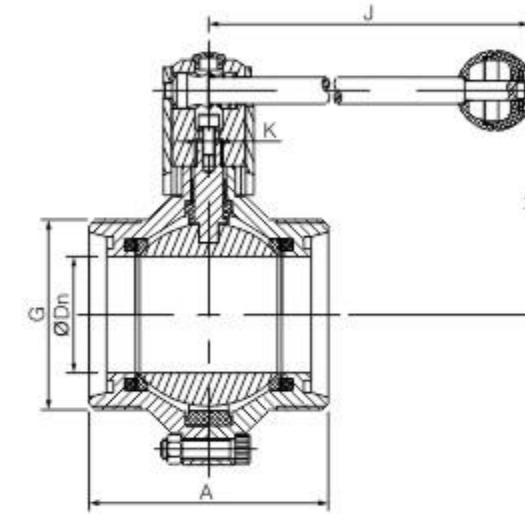
焊接式蝶式球阀(DIN)
Welded Butterfly-Type Ball Valve(DIN)

规格 Size	D	t	A	H	J	K	
DN15	18	19	1.5	72	86	126	8 × 8
DN20	22	23	1.5	72	86	126	8 × 8
DN25	28	29	1.5	72	90	126	8 × 8
DN32	34	35	1.5	83	92	126	8 × 8
DN40	40	41	1.5	87	104	133	10 × 10
DN50	52	53	1.5	101	113	144	10 × 10
DN65	70	-	2	125	131	160	11 × 11
DN80	85	-	2	145	144	220	11 × 11
DN100	104	-	2	170	161	284	14 × 14



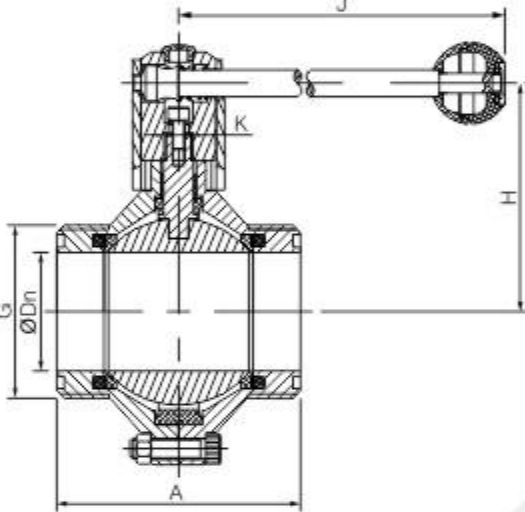
焊接式蝶式球阀(3A SMS ISO DS)
Welded Butterfly-Type Ball Valve(3A SMS ISO DS)

规格 Size	D	A	H	J	K
3/4"	19.1	72	86	126	8 × 8
1"	25.4	72	90	126	8 × 8
1 1/4"	31.8	83	92	126	8 × 8
1 1/2"	38.1	87	104	133	10 × 10
2"	50.8	101	113	144	10 × 10
2 1/2"	63.5	121	128	160	11 × 11
3"	76.2	135	138	220	11 × 11
3 1/2"	89	140	144	220	11 × 11
4"	101.6	170	161	284	14 × 14



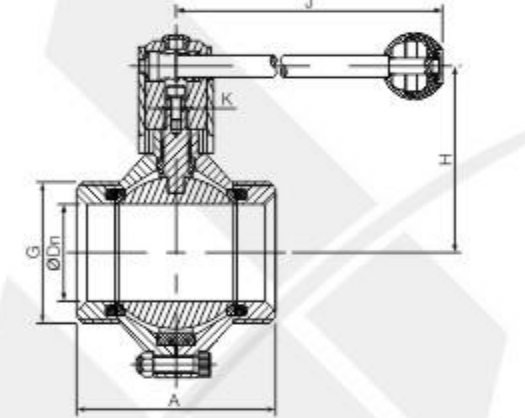
螺纹式蝶式球阀(DIN)
Threaded Butterfly-Type Ball Valve(DIN)

规格 Size	Dn	G	A	H	J	K
DN15	15	Rd34 × 1/8	72	86	126	8 × 8
DN20	19	Rd44 × 1/6	72	86	126	8 × 8
DN25	25	Rd52 × 1/6	72	90	126	8 × 8
DN32	31	Rd58 × 1/6	83	92	126	8 × 8
DN40	37	Rd65 × 1/6	87	104	133	10 × 10
DN50	49	Rd78 × 1/6	101	113	144	10 × 10
DN65	66	Rd95 × 1/6	125	131	160	11 × 11
DN80	81	Rd110 × 1/4	145	144	220	11 × 11
DN100	100	Rd130 × 1/4	170	161	284	14 × 14



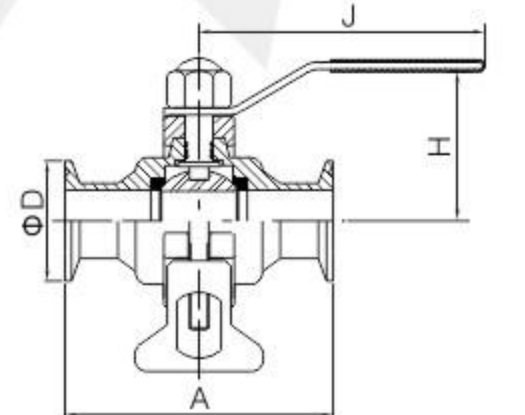
螺纹式蝶式球阀(SMS)
Threaded Butterfly-Type Ball Valve(SMS)

规格 Size	Dn	G	A	H	J	K
φ 19	16	Rd36 × 1/8	72	86	126	8 × 8
φ 25	22.4	Rd40 × 1/6	72	90	126	8 × 8
φ 32	28.8	Rd48 × 1/6	83	92	126	8 × 8
φ 38	35.1	Rd60 × 1/6	87	104	133	10 × 10
φ 51	47.8	Rd70 × 1/6	101	113	144	10 × 10
φ 63	59.5	Rd85 × 1/6	121	128	160	11 × 11
φ 76	72.2	Rd98 × 1/6	135	138	220	11 × 11
φ 89	85	Rd105 × 1/6	140	144	220	11 × 11
φ 102 min	97.6	Rd125 × 1/4	170	161	284	14 × 14
φ 102 max	97.6	Rd132 × 1/6	170	161	284	14 × 14



螺纹式蝶式球阀(3A)
Threaded Butterfly-Type Ball Valve(3A)

规格 Size	Dn	G (Acme)	A	H	J	K
1"	22.1	37.1 × 1/8	72	90	126	8 × 8
1 1/4"	28.8	45.9 × 1/8	83	92	126	8 × 8
1 1/2"	34.8	50.6 × 1/8	87	104	133	10 × 10
2"	47.5	64.1 × 1/8	101	113	144	10 × 10
2 1/2"	60.2	77.6 × 1/8	121	128	160	11 × 11
3"	72.9	91.1 × 1/8	135	138	220	11 × 11
4"	97.4	119.2 × 1/6	170	161	284	14 × 14

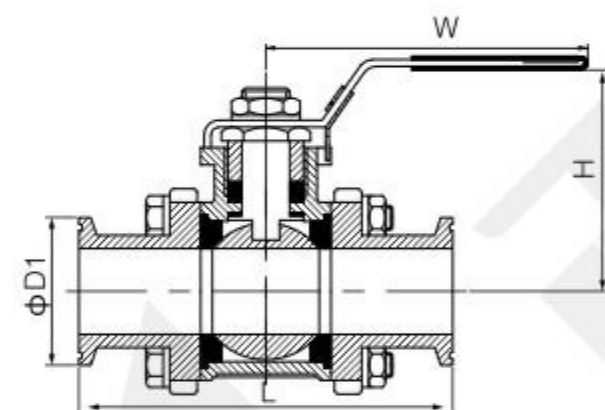


卫生级快装式无滞留球阀
Sanitary Clamped Non-Retention Ball Valve

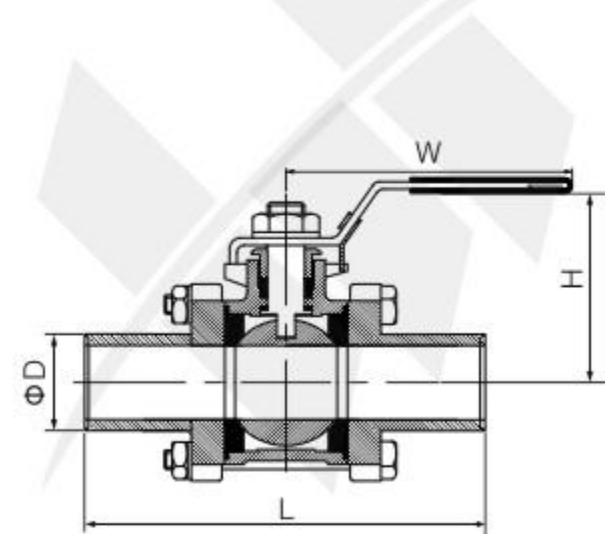
DIN ST-V1063					Inch ST-V1064				
规格 Size	D	A	H	J	Size	D	A	H	J
DN15	34	90	65	105	3/4"	25.4	90	65	105
DN20	34	100	65	105	1"	50.5	110	70	105
DN25	50.5	110	70	105	1 1/4"	50.5	120	80	130
DN32	50.5	120	80	130	1 1/2"	50.5	140	80	150
DN40	50.5	140	80	150	2"	64	164	85	160
DN50	64	164	85	160	2 1/4"	77.5	170	110	180
DN65	91	180	110	180	2 1/2"	77.5	180	110	180



ST-V1065 卡箍三片式无滞留球阀
Clamp Three-Piece Non-Retention Ball Valve



SIZE	D1	L	W	H
1/2" DN15	25.4	89	132	60
3/4" DN20	25.4	101	132	64.5
1" DN25	50.5	114	165	69
1 1/2" DN40	50.5	138	194	89
2" DN50	64	156	194	97
2 1/2" DN65	77.5	170	252	127
3" DN80	91	197	252	135
4" DN100	119	242	332	159



ST-V1066 焊接三片式无滞留球阀
Welding Three-Piece Non-Retention Ball Valve

SIZE	D1	L	W	H
Inch DIN	Inch DIN			
1/2" DN15	12.7 18	89	132	60
3/4" DN20	19 22	101	132	64.5
1" DN25	25.4 28	114	165	69
1 1/2" DN40	38.1 40	138	194	89
2" DN50	50.8 52	156	194	97
2 1/2" DN65	63.5 70	197	252	127
3" DN80	76.2 85	229	252	135
4" DN100	101.6 104	242	332	159